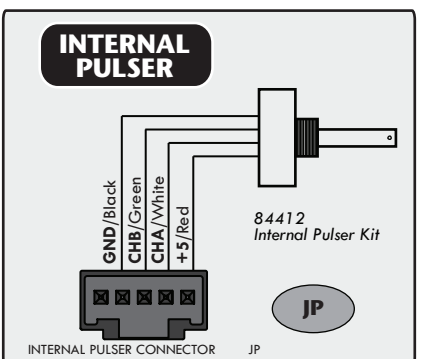
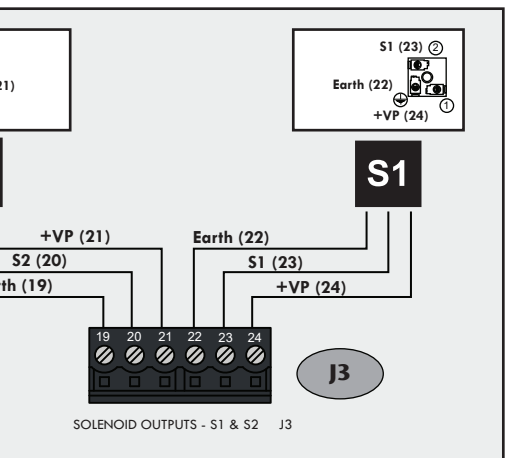
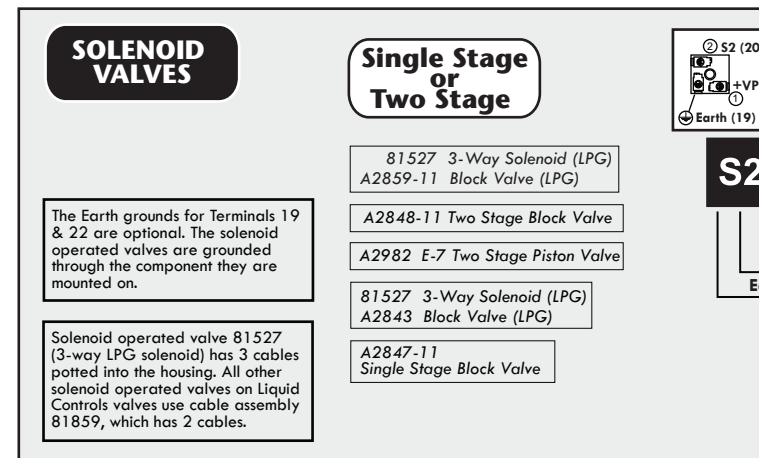
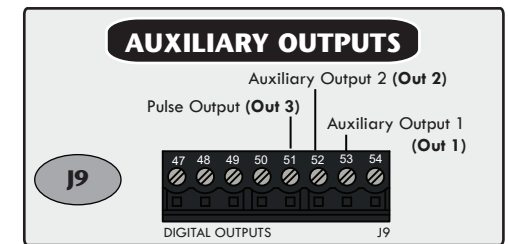
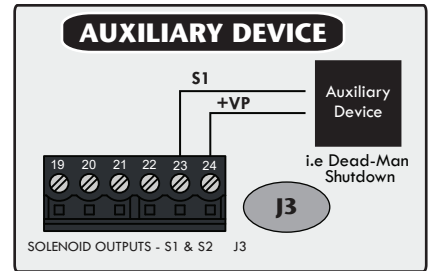
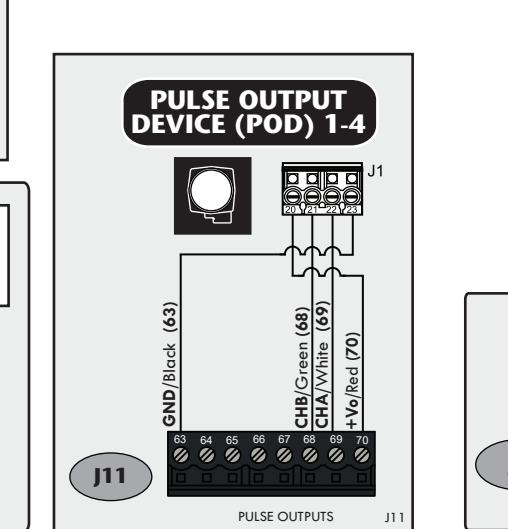
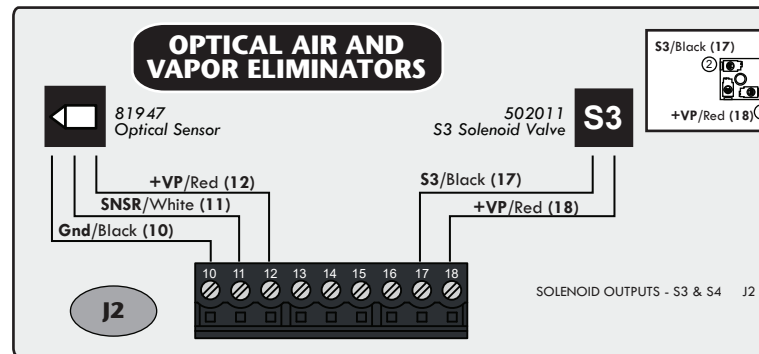
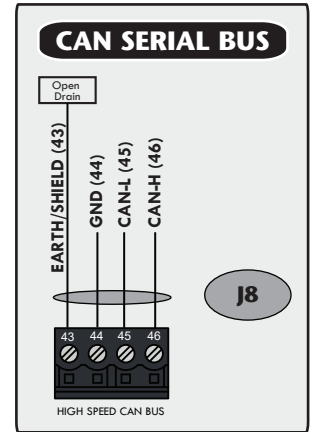
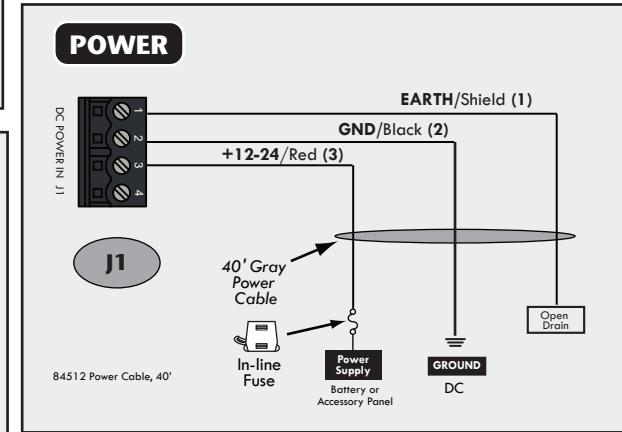
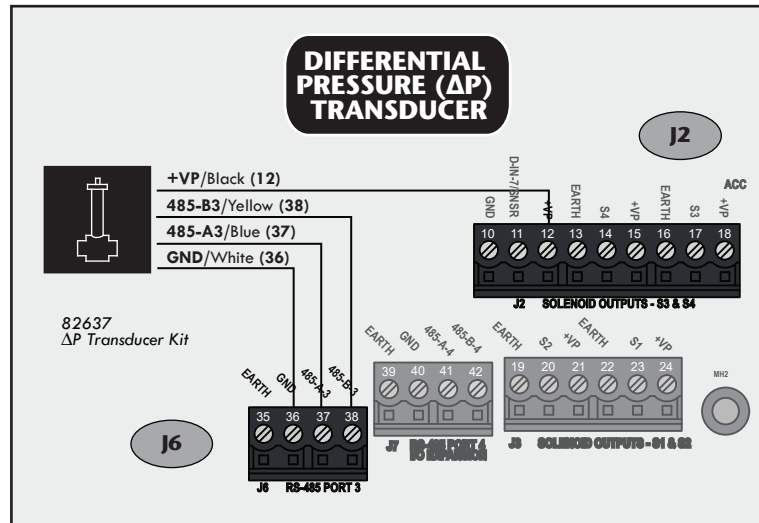
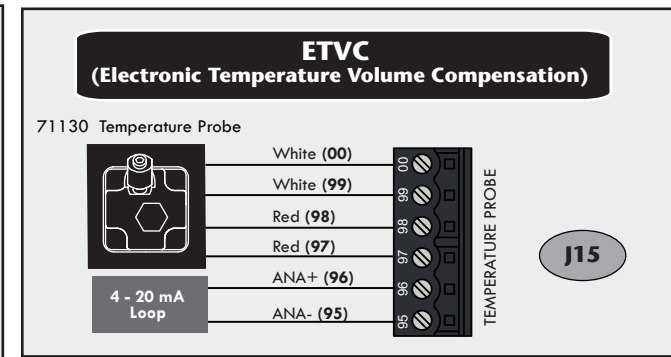
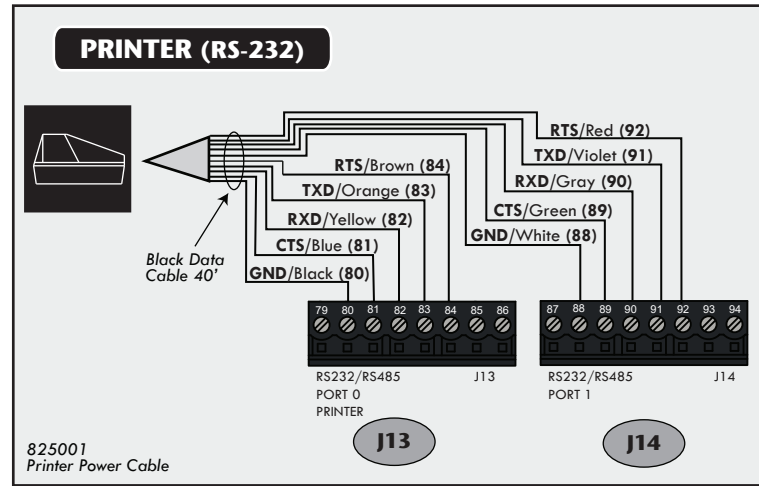
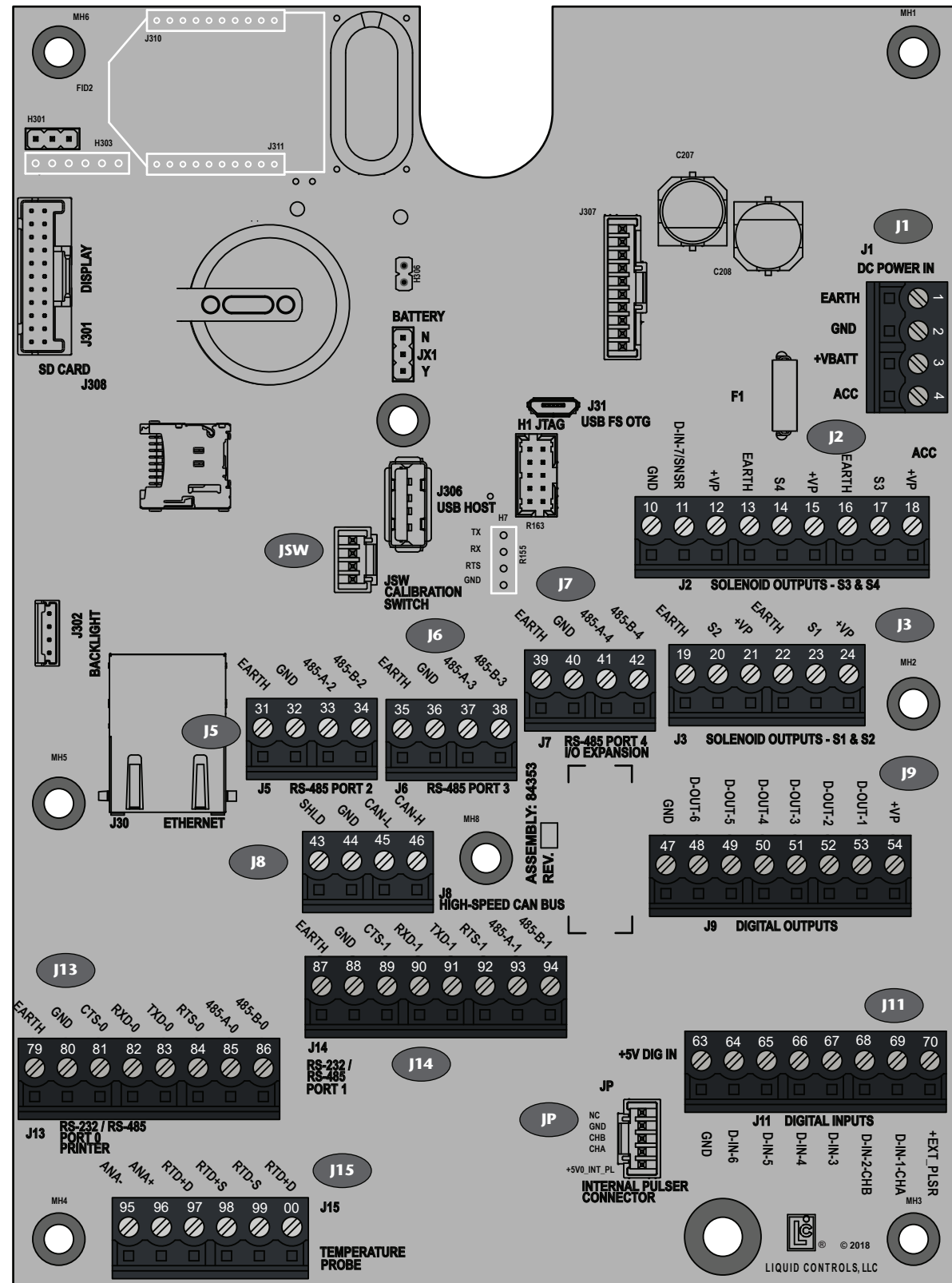


CENTRILOGIQ® LCR.iQ™ / MASTERLOAD.iQ™ I/O BOARD 84353 WIRING SCHEMATIC rev J

Note: Board revision identification is indicated in a white box near the center of the board.
If no rev is indicated, the board is rev E and the Rev E wire wiring diagram should be referenced.



ESD PRECAUTION OPENING CENTRILOGIQ REGISTERS
Before opening the CENTRILOGIQ register and handling the CPU board, it is important to discharge any ESD that may have built up on your person. To discharge ESD from your person, touch a well-grounded point such as the CENTRILOGIQ register housing, the meter, the truck piping, or the bumper. When the maintenance is complete and the CENTRILOGIQ register door is closed, the CPU board is protected from ESD by the CENTRILOGIQ register housing which is grounded to the chassis.