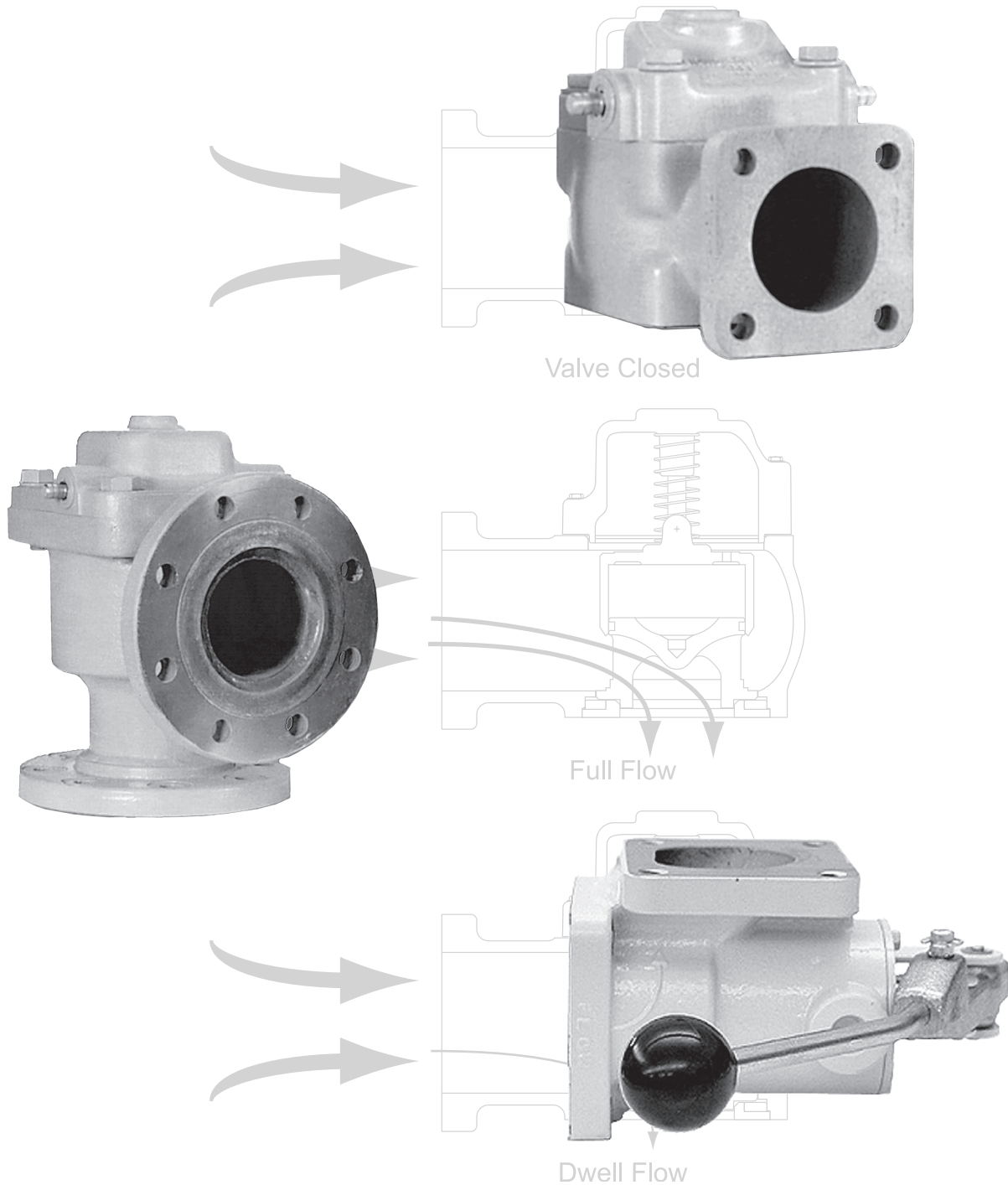


Always check www.lcmeter.com for the most current BOM.



This document is for reference only.
Always use Bill of Material shipped with meter when ordering replacement parts.

TABLE OF CONTENTS

V SERIES VALVES

630-1 V-7 2" Aluminum Valve 3
630-3 V-7 2" Cast Iron Valve 6
630-4 V-7 2" Stainless Steel Valve 8
630-5 V-15 3" Aluminum Valve 11
630-6 V-30 4" Aluminum Valve 17
630-7 VS-3 3" Steel Case Valve..... 25
630-8 VS-4 4" Steel Case Valve..... 34

Publication Updates and Translations

The most current English versions of all Liquid Controls publications are available on our web site, www.lcmeter.com. It is the responsibility of the local distributor to provide the most current version of LC manuals, instructions, and specification sheets in the required language of the country, or the language of the end user to which the products are shipping. If there are questions about the language of any LC manuals, instructions, or specification sheets, please contact your local distributor.

V-7 2" ALUMINUM VALVE

A2621 - Aluminum / SST / Viton

APPLICABLE FOR VALVES MANUFACTURED AFTER MARCH, 1995

Item #	Part #	Qty	Description
0200	48405	1	Manual, Valve V7
0210	49796	1	Housing Subassembly, V7 Valve Aluminum/Viton
0220	49816	1	Piston Subassembly, V7 Valve Aluminum/Viton
0337	07103	1	Link, Roller Chain Connecting Link
0354	43626	1	Seal Ring, Lower; V7 Valve Viton Overmold on 43627I
0475	45361	1	Decals Labels Tags - Identification
0553	45345	1	Shaft, Valve Handle - 303 SS, V7 Valve
0564	07304	2	Retaining Ring, .250 Xtrnl "E" Reinforced
0626	06991	4	Screw, .375-16 x 1.25 Socket HD
0738	04607	4	Flat Washer, .390 ID .625 OD x .032 Thk

A2623 - Aluminum / SST / PTFE

APPLICABLE FOR VALVES MANUFACTURED AFTER MARCH, 1995

Item #	Part #	Qty	Description
0200	48405	1	Manual, Valve V7
0210	49802	1	Housing Subassembly, V7 Valve Aluminum/PTFE
0220	49808	1	Piston Subassembly, V7 Valve Aluminum/PTFE
0337	07103	1	Link, Roller Chain Connecting Link
0354	43674	1	Seal Ring, Lower; V7 Valve PTFE (Virgin), Solid
0424	45818	1	Gasket, Flange; Armalon 1-1/2", 2" Flange
0475	45361	1	Decals Labels Tags - Identification
0553	45345	1	Shaft, Valve Handle - 303 SS, V7 Valve
0564	07304	2	Retaining Ring, .250 Xtrnl "E" Reinforced
0626	06991	4	Screw, .375-16 x 1.25 Socket HD
0738	04607	4	Flat Washer, .390 ID .625 OD x .032 Thk

A2631 - Aluminum / SST / Viton-High Viscosity

APPLICABLE FOR VALVES MANUFACTURED AFTER MARCH, 1995

Item #	Part #	Qty	Description
0200	48405	1	Manual, Valve V7
0210	49796	1	Housing Subassembly, V7 Valve Aluminum/Viton
0220	49813	1	Piston Subassembly, V7 Valve Aluminum/Viton/High Visc
0337	07103	1	Link, Roller Chain Connecting Link
0354	43626	1	Seal Ring, Lower; V7 Valve Viton Overmold on 43627
0475	45361	1	Decals Labels Tags - Identification
0553	45345	1	Shaft, Valve Handle - 303 SS, V7 Valve
0564	07304	2	Retaining Ring, .250 Xtrnl "E" Reinforced
0626	06991	4	Screw, .375-16 x 1.25 Socket HD
0738	04607	4	Flat Washer, .390 ID .625 OD x .032 Thk

V-7 2" ALUMINUM VALVE

A2651 - Aluminum / SST / Viton-Class 3

APPLICABLE FOR VALVES MANUFACTURED AFTER MARCH, 1995

Item #	Part #	Qty	Description
0210	49796	1	Housing Subassembly, V7 Valve Aluminum/Viton
0220	49814	1	Piston Subassembly, V7 Valve Aluminum/Viton/Class 3
0337	07103	1	Link, Roller Chain Connecting Link
0354	43626	1	Seal Ring, Lower; V7 Valve Viton Overmold on 43627
0475	45361	1	Decals Labels Tags - Identification
0553	45345	1	Shaft, Valve Handle - 303 SS, V7 Valve
0564	07304	2	Retaining Ring, .250 Xtrnl "E" Reinforced
0626	06991	4	Screw, .375-16 x 1.25 Socket HD
0738	04607	4	Flat Washer, .390 ID .625 OD x .032 Thk

A2652 - Aluminum / SST / Buna - Class 15

APPLICABLE FOR VALVES MANUFACTURED AFTER MARCH, 1995

Item #	Part #	Qty	Description
0200	48405	1	Manual, Valve V7
0210	49797	1	Housing Subassembly, V7 Valve Aluminum/Buna N
0220	49815	1	Piston Subassembly, V7 Valve Aluminum/Buna N/Class 15
0337	07103	1	Link, Roller Chain Connecting Link
0354	43608	1	Seal Ring, Lower; V7 Valve Buna Overmold on 43627
0475	45361	1	Decals Labels Tags - Identification
0553	45345	1	Shaft, Valve Handle - 303 SS, V7 Valve
0564	07304	2	Retaining Ring, .250 Xtrnl "E" Reinforced
0626	06991	4	Screw, .375-16 x 1.25 Socket HD
0738	04607	4	Flat Washer, .390 ID .625 OD x .032 Thk

A2655 - Aluminum / SST / Viton / PTFE

APPLICABLE FOR VALVES MANUFACTURED AFTER MARCH, 1995

Item #	Part #	Qty	Description
0200	48405	1	Manual, Valve V7
0210	49796	1	Housing Subassembly, V7 Valve Aluminum/Viton
0220	49808	1	Piston Subassembly, V7 Valve Aluminum/PTFE
0337	07103	1	Link, Roller Chain Connecting Link
0354	43626	1	Seal Ring, Lower; V7 Valve Viton Overmold on 43627
0475	45361	1	Decals Labels Tags - Identification
0553	45345	1	Shaft, Valve Handle - 303 SS, V7 Valve
0564	07304	2	Retaining Ring, .250 Xtrnl "E" Reinforced
0626	06991	4	Screw, .375-16 x 1.25 Socket HD
0738	04607	4	Flat Washer, .390 ID .625 OD x .032 Thk

V-7 2" ALUMINUM VALVE

ACCESSORIES			
Handle Assembly			
Item #	Part #	Qty	Description
0205	43617	1	Curved L-R Handle
0205	43614	1	Curved R-L Handle
0205	44685	1	Straight Handle
Dapshot Washer			
0727	44691	1	Dashpot 1/16" 0-30 SSU
0727	44698	1	Dashpot 1/8" 30-150 SSU
0727	44692	1	Dashpot 2-1/8" 150-6000 SSU
0727	47722	1	Dashpot 4-1/8" 6000-20,000 SSU
Valve Linkage Assembly			
0020	A2712	1	Straight Linkage
0020	A2714	1	Offset Linkage

V-7 2" CAST IRON

A2670 - CI / SST / Viton - Class 7

APPLICABLE FOR VALVES MANUFACTURED AFTER JANUARY 26, 2001

Item #	Part #	Qty	Description
0110	44682	1	Valve Body, 2" Cast
0133	44684	1	Piston
0318	43652	1	Bracket, Lift
0337	07103	1	Link, Roller Chain Connecting Link
0354	43626	1	Seal Ring, Lower; V7 Valve Viton Overmold on 436271
0370	43612	1	Shaft, Valve .375 Diameter
0380	43620	1	Spring, Dashpot Washer
0382	43678	1	Spring, Compression
0453	09275	2	O-ring, 3/8 ID x 9/16 OD x 3/32 Dia. Viton
0465	07253	1	Quad Ring, 2" ID Viton
0475	45361	1	Decals Labels Tags - Identification
0512	07464	1	Bearing, Sleeve; Lyliner; 3/8 ID
0516	07102	1	Bearing, Lyliner; 3/8 ID
0532	06050	1	Nut, .250-28
0553	45345	1	Shaft, Valve Handle - 303 SS, V7 Valve
0564	07304	2	Retaining Ring, .250 Xtrnl "E" Reinforced
0606	07295	4	Screw, #10-24 x 5" Slotted Hex Washer Head
0626	07319	4	Screw, .375-16 x 2 Socket HD
0724	06635	1	Flat Washer, .265 ID x .625 OD x .015 Thk
0738	04607	4	Flat Washer, .390 ID .625 OD x .032 Thk

A2671 - CI / Viton / PTFE - Class 7

APPLICABLE FOR VALVES MANUFACTURED AFTER JANUARY 26, 2001

Item #	Part #	Qty	Description
0110	44682	1	Valve Body, 2" Cast
0133	44690	1	Piston
0318	43652	1	Bracket, Lift
0337	07103	1	Link, Roller Chain Connecting Link
0354	43626	1	Seal Ring, Lower; V7 Valve Viton Overmold on 436271
0370	43612	1	Shaft, Valve .375 Diameter
0380	43620	1	Spring, Dashpot Washer
0382	43678	1	Spring, Compression
0453	09275	2	O-ring, 3/8 ID x 9/16 OD x 3/32 Dia. Viton
0465	07832	1	Seal, Omniseal; 1.977 ID, PTFE, 1/8" X-Section
0475	45361	1	Decals Labels Tags - Identification
0512	07464	1	Bearing, Sleeve; Lyliner; 3/8 ID
0516	07102	1	Bearing, Lyliner; 3/8 ID
0532	06050	1	Nut, .250-28
0553	45345	1	Shaft, Valve Handle - 303 SS, V7 Valve
0564	07304	2	Retaining Ring, .250 Xtrnl "E" Reinforced
0572	06044	1	Retaining Ring, Spiral, 1.909 Free ID x .049 Thk
0606	07295	4	Screw, #10-24 x .5" Slotted Hex Washer Head
0626	07319	4	Screw, .375-16 x 2 Socket HD
0724	06635	1	Flat Washer, .265 ID x .625 OD x .015 Thk
0738	04607	4	Flat Washer, .390 ID .625 OD x .032 Thk

V-7 2" CAST IRON

A2672 - CI / PTFE - Class 7

APPLICABLE FOR VALVES MANUFACTURED AFTER MARCH 10, 1995

Item #	Part #	Qty	Description
0110	44689	1	Valve Body, 2" Cast
0133	44690	1	Piston
0318	43652	1	Bracket, Lift
0337	07103	1	Link, Roller Chain Connecting Link
0354	43674	1	Seal Ring, Lower; V7 Valve PTFE (Virgin) Solid
0424	45818	1	Gasket, Flange
0446	06943	1	Seal, V-ring Set; PTFE
0465	07832	1	Seal, Omniseal; 1.977 ID, PTFE, 1/8" X-Section
0475	45361	1	Decals Labels Tags - Identification
0512	07464	1	Bearing, Sleeve; Lyliner; 3/8 ID
0516	07102	1	Bearing, Lyliner; 3/8 ID
0532	06050	1	Nut, .250-28
0553	45345	1	Shaft, Valve Handle - 303 SS, V7 Valve
0564	07304	2	Retaining Ring, .250 Xtrnl "E" Reinforced
0606	07295	4	Screw, #10-24 x 5" Slotted Hex Washer Head
0626	07319	4	Screw, .375 - 16 x 2.00 Socket HD
0724	06635	1	Flat Washer, .265 ID x .625 OD x .015 Thk
0780	43672	1	Flat Washer, .406 ID x .745 OD x .032 Thk
0738	04607	4	Flat Washer, .390 ID .625 OD x .032 Thk

ACCESSORIES

Handle Assembly

Item #	Part #	Qty	Description
0205	43617	1	Curved L-R Handle
0205	43614	1	Curved R-L Handle
0205	44685	1	Straight Handle

Dapshot Washer

0727	44691	1	Dashpot 1/16" 0-30 SSU
0727	44698	1	Dashpot 1/8" 30-150 SSU
0727	44692	1	Dashpot 2-1/8" 150-6000 SSU
0727	47722	1	Dashpot 4-1/8" 6000-20,000 SSU

Valve Linkage Assembly

0020	A2712	1	Straight Linkage
0020	A2714	1	Offset Linkage

V-7 2" STAINLESS STEEL

A2683 - SST / Viton - Class 8

APPLICABLE FOR VALVES MANUFACTURED AFTER MARCH 10, 1995

Item #	Part #	Qty	Description
0133	45331	1	Piston
0208	45326	1	Valve Body Assembly
0318	45339	1	Bracket, Lift
0337	45342	1	Link, Roller Chain Connecting Link
0354	43626	1	Seal Ring, Lower; V7 Valve Viton Overmold on 436271
0370	43612	1	Shaft, Valve .375 Diameter
0380	43620	1	Spring, Dashpot Washer
0381	45343	2	Spacer, Handle
0382	43678	1	Spring, Compression
0383	45340	1	Bearing, Rulon
0388	45327	1	Seal Cartridge
0453	06284	2	O-ring, 3/8 ID x 9/16 OD x 3/32 Dia. Viton
0455	07565	1	O-ring, 9/16 ID x 3/4 OD x 3/32 Dia. Viton
0465	07253	1	Quad Ring, 2" ID Viton
0475	45361	1	Decals Labels Tags - Identification
0532	06050	1	Nut, .250-28
0550	45346	2	Shaft, Valve Link
0553	45345	1	Shaft, Valve Handle - 303 SS, V7 Valve
0561	07524	4	Retaining Ring, .218 Xtrnl "E" reinforced
0564	07523	2	Retaining Ring, .250 Xtrnl "E" Reinforced
0606	07521	4	Screw, #10-24 x 5" Hex Head
0626	07497	4	Screw, .375-16 x 1.00 Socket HD
0724	06635	1	Flat Washer, .265 ID x .625 OD x .015 Thk
0738	06166	4	Flat Washer, .390 ID .625 OD x .062 Thk
0780	45344	2	Flat Washer, 0406 ID x .75 OD x .015 Thk
0781	07121	4	Lock Washer, #10 Split

V-7 2" STAINLESS STEEL

A2687 - SST / PTFE - Class 8

APPLICABLE FOR VALVES MANUFACTURED AFTER MARCH 10, 1995

Item #	Part #	Qty	Description
0133	45329	1	Piston
0208	45326	1	Valve Body Assembly
0318	45339	1	Bracket, Lift
0337	45342	1	Link, Roller Chain Connecting Link
0354	43674	1	Seal Ring, Lower; V7 Valve PTFE (Virgin), Solid
0370	43612	1	Shaft, Valve .375 Diameter
0380	43620	1	Spring, Dashpot Washer
0381	45343	2	Spacer, Handle
0382	43678	1	Spring, Compression; 1.25 OD x 3.5 Long
0383	45340	1	Bearing, Rulon
0388	44696	1	Spring, Compression; .72 OD x 19/32 Long
0424	45818	1	Gasket, Flange
0446	06943	1	Seal, V-ring Set; PTFE
0465	07832	1	Seal, Omniseal; 1.977 ID, PTFE, 1/8" X-Section
0475	45361	1	Decals Labels Tags - Identification
0532	06050	1	Nut, .250-28
0550	45346	2	Shaft, Valve Link
0553	45345	1	Shaft, Valve Handle - 303 SS, V7 Valve
0561	07524	4	Retaining Ring, .218 Xtrnl "E" Reinforced
0564	07523	2	Retaining Ring, .250 Xtrnl "E" Reinforced
0572	06044	1	Retaining Ring, Spiral, 1.909 Free ID x .049 Thk
0606	07521	4	Screw, #10 x 5" Hex head
0626	07497	4	Screw, .375-16 x 1.00 Socket HD
0724	06635	1	Flat Washer, .265 ID x .625 OD x .015 Thk
0738	06166	4	Flat Washer, .390 ID .625 OD x .062 Thk
0780	45344	2	Flat Washer, .406 ID x .75 OD x .015 Thk
0781	07121	4	Lock Washer, #10 Split

ACCESSORIES

Handle Assembly

Item #	Part #	Qty	Description
0205	45337	1	Curved L-R Handle
0205	45336	1	Curved R-L Handle
0205	45335	1	Straight Handle

Dapshot Washer

0727	44691	1	Dashpot 1/16" 0-30 SSU
0727	44698	1	Dashpot 1/8" 30-150 SSU
0727	44692	1	Dashpot 2-1/8" 150-6000 SSU
0727	47722	1	Dashpot 4-1/8" 6000-20,000 SSU

Valve Linkage Assembly

0020	A2725	1	Straight Linkage
0020	A2726	1	Offset Linkage

V-7 2" STAINLESS STEEL

A2997 - SST / EPDM - Class 18

APPLICABLE FOR VALVES MANUFACTURED AFTER APRIL 15, 2015

Item #	Part #	Qty	Description
0133	48567	1	Piston
0208	49817	1	Valve Body Assembly
0318	45339	1	Bracket, Lift
0337	45342	1	Link, Roller Chain Connecting Link
0354	43674	1	Seal Ring, Lower; V7 Valve PTFE (Virgin), Solid
0370	48566	1	Shaft, Valve .375 Diameter
0380	43620	1	Spring, Dashpot Washer
0382	43678	1	Spring, Compression; 1.25 OD x 3.5 Long
0383	45340	1	Bearing, Rulon
0424	09447	1	O-Ring, Flange, EPDM
0446	09425	1	Seal, U-Cup
0465	09449	1	O-Ring; 2.00 ID, EPDM
0475	45361	1	Decals Labels Tags - Identification
0532	06050	1	Nut, .250-28
0550	45346	2	Shaft, Valve Link
0553	45345	1	Shaft, Valve Handle - 303 SS, V7 Valve
0561	07524	4	Retaining Ring, .218 Xtrnl "E" Reinforced
0564	07523	2	Retaining Ring, .250 Xtrnl "E" Reinforced
0572	06044	1	Retaining Ring, Spiral, 1.909 Free ID x .049 Thk
0606	07521	4	Screw, #10 x 5" Hex head
0626	07497	4	Screw, .375-16 x 1.00 Socket HD
0724	06635	1	Flat Washer, .265 ID x .625 OD x .015 Thk
0738	06166	4	Flat Washer, .390 ID .625 OD x .062 Thk
0781	07121	4	Lock Washer, #10 Split

V-15 3" ALUMINUM VALVE

A3610 & A3610A - Aluminum / STL / Viton

APPLICABLE FOR VALVES MANUFACTURED AFTER MARCH 26, 1999

Item #	Part #	Qty	Description
0110	40731	1	Housing - V-15 HSG V15 Body
0124	43985	1	Cap, Valve V-15 AL/TF V-15
0133	43529	1	Cup, V-15
0138	43953	1	Guide, V-15 New style
0140	09050	2	Bearing, M-Lnr .500 ID, M-Liner Sleeve Brg 1/2
0260	47889	2	Guide, Inner-Bearing
0270	47891	2	Case, Shaft Seal - V-15 Valve Saft
0337	43534	2	Link - V-15
0338	43533	1	Link Arm - Link V-15
0354	40736	1	Ring, Valve Seal
0368	40746	1	Shaft, Valve - V-15
0370	40737	1	Shaft, Valve Guide
0382	40735	1	Spring, Compression Spring Valve
0412	40738	1	Gasket, Cap - SL-GV V-15 Rhopac
0424	40871	1	Gasket, Flange
0450	09046	2	O-Ring, .62 ID Viton, .88 OD X .12 Dia Wall
0455	09311	2	O-Ring, .484 ID Brn Viton, .762 OD X .139 Dia Wall
0465	40742	1	Ring, Valve Upper-Seal
0541	04005	4	Pin, Cotter .062 X .500
0543	06822	1	Pin, Groove; Tapered, 3/16" X 1.00 LG, 303 SS
0559	04001	1	Retaining Ring, .625 Xtrnl "E"
0564	04003	2	Retaining Ring, .500 Xtrnl "E"
0610	06057	2	Screw, .500-13 X 1.50 Hex Head
0611	00244	2	Screw, .500-13 X 2.25 Hex Head Cap
0615	06819	2	Screw, #10-24 X .375 Allen Socket Flat Head
0626	06057	4	Screw, .500-13 X 1.50 Hex Head
0718	04685	8	Flat Washer, .531 ID 1.06 OD X .095 Thk
0727	40944	1	Washer, Dashpot, Wash Plain
0741	06818	4	Flat Washer, .219 ID .50 OD, .06 Thk, SS
0800	48854	1	Valve Manual

V-15 3" ALUMINUM VALVE

A3611 & A3611A - Aluminum / STL / Viton-High Viscosity

APPLICABLE FOR VALVES MANUFACTURED AFTER MARCH 26, 1999

Item #	Part #	Qty	Description
0110	40731	1	Housing - V-15 HSG V15 Body
0124	43985	1	Cap, Valve V-15, AL/TF V-15
0133	43998	1	Cup, High Viscosity, V-15
0138	43953	1	Guide, V-15 New style
0140	09050	2	Bearing, M-Lnr .500 ID, M-Liner Sleeve Brg 1/2
0260	47889	2	Guide, Inner-Bearing
0270	47891	2	Case, Shaft Seal - V-15 Valve Saft
0337	43534	2	Link - V-15
0338	43533	1	Link Arm - Link V-15
0354	40736	1	Ring, Valve Seal
0368	40746	1	Shaft, Valve - V-15
0370	40737	1	Shaft, Valve Guide
0382	40735	1	Spring, Compression Spring Valve
0412	46070	1	Gasket, Cap - V-15 CL 3
0424	46069	1	Gasket, Flange - M-15 CL 3
0450	09046	2	O-Ring, .62 ID Viton, .88 OD X .12 Dia Wall
0455	09311	2	O-Ring, .484 ID Brn Viton, .762 OD X .139 Dia Wall
0465	40742	1	Ring, Valve Upper-Seal
0541	04005	4	Pin, Cotter .062 X .500
0543	06822	1	Pin, Groove; Tapered, 3/16" X 1.00 LG, 303 SS
0564	04003	2	Retaining Ring, .500 Xtrnl "E"
0610	06057	2	Screw, .500-13 X 1.50 Hex Head
0611	00244	2	Screw, .500-13 X 2.25 Hex Head Cap
0615	06819	2	Screw, #10-24 X .375 Allen Socket Flat Head
0626	06057	4	Screw, .500-13 X 1.50 Hex Head
0718	04685	8	Flat Washer, .531 ID 1.06 OD X .095 Thk
0741	06818	4	Flat Washer, .219 ID .50 OD, .06 Thk, SS
0800	48854	1	Valve Manual

V-15 3" ALUMINUM VALVE

A3612 & A3612A Aluminum / STL / PTFE			
APPLICABLE FOR VALVES MANUFACTURED AFTER JULY 9, 1999			
Item #	Part #	Qty	Description
0110	40731	1	Housing - V-15 HSG V15 Body
0124	43985	1	Cap, Valve V-15, AL/TF V-15
0133	43529	1	Cup, V-15 HDCT
0138	43978	1	Guide, V-15 New style TF
0140	09050	2	Bearing, M-Lnr .500 ID, M-Liner Sleeve Brg 1/2
0260	47889	2	Guide, Inner-Bearing
0270	47891	2	Case, Shaft Seal - V-15 Valve Saft
0337	43534	2	Link - V-15
0338	43533	1	Link Arm - Link V-15
0354	43982	1	Ring, Valve Seal
0368	40746	1	Shaft, Valve - V-15
0370	40737	1	Shaft, Valve Guide
0382	40735	1	Spring, Compression Spring Valve
0412	40738	1	Gasket, Cap - SL-GV V-15 RHOPAC
0424	40871	1	Gasket, Flange - Gasket Meter
0450	09047	2	O-Ring, .62 ID Viton, .88 OD X .12 Dia Wall
0455	09045	2	O-Ring, .50 ID PTFE w/Viton Core .12 Sqr Wall
0465	07209	1	O-Ring, 2.75 ID PTFE 3.0 OD x .12 Dia Wall
0541	04005	4	Pin, Cotter .062 X .500
0543	06822	1	Pin, Groove; Tapered, 3/16" X 1.00 LG, 303 SS
0559	04001	1	Retaining Ring, .625 Xtrnl "E"
0564	04003	2	Retaining Ring, .500 Xtrnl "E"
0572	07207	1	Ring, Lock 2.572 ID Shaft Dia 2.688, .049 T
0610	06057	2	Screw, .500-13 X 1.50 Hex Head
0611	00244	2	Screw, .500-13 X 2.25 Hex Head Cap
0615	06819	2	Screw, #10-24 X .375 Allen Socket Flat Head
0626	06057	4	Screw, .500-13 X 1.50 Hex Head
0718	04685	8	Flat Washer, .531 ID 1.06 OD X .095 Thk
0727	43521	1	Washer, Dashpot, Washer Plain
0741	06818	4	Flat Washer, .219 ID .50 OD, .06 Thk, SS
0800	48854	1	Valve Manual

V-15 3" ALUMINUM VALVE

A3620 & A3620A - Aluminum / SST / Viton

APPLICABLE FOR VALVES MANUFACTURED AFTER JULY 9, 1999

Item #	Part #	Qty	Description
0110	40731	1	Housing - V-15 HSG V15 Body
0124	43985	1	Cap, Valve V-15, AL/TF V-15
0133	43529	1	Cup, V-15 HDCT
0138	43953	1	Guide, V-15 New style
0140	09050	2	Bearing, M-Lnr .500 ID, M-Liner Sleeve Brg 1/2
0260	47889	2	Guide, Inner-Bearing
0270	47891	2	Case, Shaft Seal - V-15 Valve Saft
0337	43534	2	Link - V-15
0338	43533	1	Link Arm - Link V-15
0354	40736	1	Ring, Valve Seal
0368	40746	1	Shaft, Valve - V-15
0370	40737	1	Shaft, Valve Guide
0382	43535	1	Spring, Compression, Valve Spring 302 SS
0412	46070	1	Gasket, Cap - V-15 CL 3
0424	46069	1	Gasket, Flange - M-15 CL 3
0450	09046	2	O-Ring, .62 ID Viton, .88 OD X .12 Dia Wall
0455	09311	2	O-Ring, .484 ID Brn Viton .762 OD X .139 Dia Wall
0465	40742	1	Ring, Valve Upper-Seal, Seal-Ring
0541	06936	4	Pin, Cotter .062 X .500, 18-8 SS
0543	06822	1	Pin, Groove; Tapered, 3/16" X 1.00 LG, 303 SS
0559	06820	1	Retaining Ring, .625 Xtrnl Basic
0564	06821	2	Retaining Ring, .500 Xtrnl "E"
0610	06057	2	Screw, .500-13 X 1.50 Hex Head
0611	00244	2	Screw, .500-13 X 2.25 Hex Head Cap
0615	06819	2	Screw, #10-24 X .375 Allen Socket Flat Head
0626	06057	4	Screw, .500-13 X 1.50 Hex Head
0718	04685	8	Flat Washer, .531 ID 1.06 OD X .095 Thk
0727	43521	1	Washer, Dashpot, Washer Plain
0741	06818	4	Flat Washer, .219 ID .50 OD, .06 Thk, SS
0800	48854	1	Valve Manual

V-15 3" ALUMINUM VALVE

A3622 & A3622A - Aluminum / SST / PTFE			
APPLICABLE FOR VALVES MANUFACTURED AFTER JULY 9, 1999			
Item #	Part #	Qty	Description
0110	40731	1	Housing - V-15 HSG V15 Body
0124	43985	1	Cap, Valve V-15, AL/TF V-15
0133	43529	1	Cup, V-15 HDCT
0138	43978	1	Guide, V-15 New style TF
0140	09050	2	Bearing, M-Lnr .500 ID, M-Liner Sleeve Brg 1/2
0260	47889	2	Guide, Inner-Bearing
0270	47891	2	Case, Shaft Seal - V-15 Valve Saft
0337	43534	2	Link - V-15
0338	43533	1	Link Arm - Link V-15
0354	43982	1	Ring, Seal V15
0368	40746	1	Shaft, Valve - V-15
0370	40737	1	Shaft, Valve Guide
0382	43535	1	Spring, Compression, Valve Spring 302 SS
0412	40738	1	Gasket, Cap - SI-GV V-15 RHOPAC
0424	40871	1	Gasket, Flange - Gasket Meter
0450	09047	2	O-Ring, .62 ID PTFE, .88 OD X .12 Dia Wall
0455	09045	2	O-Ring, .50 ID PTFE w/Viton Core .12 Sqr Wall
0465	07209	1	O-Ring, 2.75 ID PTFE 3.00 OD X .12 Dia Wall
0541	06936	4	Pin, Cotter .062 X .500, 18-8 SS
0543	06822	1	Pin, Groove; Tapered, 3/16" X 1.00 LG, 303 SS
0559	06820	1	Retaining Ring, .625 Xtrnl Basic
0564	06821	2	Retaining Ring, .500 Xtrnl "E"
0572	07207	1	Ring, Lock 2.572 ID Shaft Dia 2.688, .049 T
0610	06057	2	Screw, .500-13 X 1.50 Hex Head
0611	00244	2	Screw, .500-13 X 2.25 Hex Head Cap
0615	06819	2	Screw, #10-24 X .375 Allen Socket Flat Head
0626	06057	4	Screw, .500-13 X 1.50 Hex Head
0718	04685	8	Flat Washer, .531 ID 1.06 OD X .095 Thk
0727	43521	1	Washer, Dashpot, Washer Plain
0741	06818	4	Flat Washer, .219 ID .50 OD, .06 Thk, SS
0800	48854	1	Valve Manual

V-15 3" ALUMINUM VALVE

ACCESSORIES

A3710 - Linkage Assembly

Applicable for valves manufactured after August 1, 1993

Item #	Part #	Qty	Description
0127	40984	1	Handle Assembly, Valve V-15 & V30
0337	40827	1	Link, Operating Link V15 Operating
0376	40963	2	Sleeve, Preset, .625 OD X .095 W X .50 L
0514	42993	1	Extension, Ball Joint .375-24
0515	04401	1	Ball Joint, Snap-off, .38-24, Shank LG .50
0534	06075	2	Nut, .375-16 Selflocking Hex Light
0535	06050	1	Nut, .250-28 Selflocking ESNA #79NTE-048
0615	06645	1	Screw, .250-28 X .500 Sltd Pan HD
0620	06054	1	Lock Washer, .375 Spring

A3730 - Linkage Assembly

Applicable for valves manufactured after August 1, 1993

0001	04094	1	Knob, Ball 1.375 Dia .375-16 Thd
0002	04393	2	Retaining Ring, .375 Xtrnl "E"
0003	04401	1	Ball Joint, Snap-off .38-24 Shank Lg .50
0004	04638	1	Ball Joint, .25-28 X .31, "SO"-107
0005	06054	1	Lock Washer, .375 Spring
0006	06075	4	Nut, .375-16 Selflocking Hex, Light
0007	06081	1	Lock Washer, .25 Spring, Heavy
0008	09079	4	Screw, #10-24 X .625 Hex Head, SEMS, SS
0010	06948	1	Pin, Groove .125 X .750
0012	07304	2	Retaining Ring, .250 Xtrnl "E" Reinforced
0013	40948	2	Pivot, Shperical, .75 Spher Dia
0014	40963	4	Sleeve, Preset, .625 OD X .095 W X .50 L
0015	40986	1	Link Assembly, Stub, V15
0018	43087	1	Handle, Extended Link
0019	43090	1	Link, Preset
0020	43093	1	Link, Vertical, MS30
0021	43652	1	Bracket, Lift, V7
0022	44688	1	Extension, Handle .375 Dia Stk X 5.187 L
0024	45345	1	Shaft, Valve handle, 303 SS, V7 Valve

V-30 4" ALUMINUM VALVE

A4610 & A4610A - Aluminum / STL / Viton

APPLICABLE FOR VALVES MANUFACTURED AFTER MARCH 26, 1999

Item #	Part #	Qty	Description
0110	40931	1	Housing, Check Valve, Hsg-C/Mlv V30 Body
0124	43976	1	Cap, Valve V-30 TF V-30
0133	43528	1	Cup, V-30
0138	43956	1	Guide, V-30
0140	09050	2	Bearing, M-Lnr .500 ID, M-Liner Sleeve Brg 1/2
0260	47889	2	Guide, Inner-Bearing
0270	47892	2	Case, Shaft Seal - V-30 Valve Saft
0337	43525	2	Link - V-30
0338	43524	1	Link Arm - Link V-30
0354	46239	1	Seal Ring, Bonded Viton, V30 Valve
0368	40987	1	Shaft, Valve - V-30
0370	40967	1	Shaft, Valve Guide, .437 OD X 5.032 Long
0382	40942	1	Spring, Compression Spring Valve 1.25 OD
0412	40704	2	Gasket, Flange M30 Nitrile, Type 205, 1/16"
0450	09048	2	O-Ring, .75 ID Viton, 1.00 OD X .12 Dia Wall
0455	09311	2	O-Ring, .484 ID Brn Viton, .762 OD X .139 Dia Wall
0465	40969	1	Ring, Upper-Seal, 3.734 ID, Valve Seals
0541	04005	4	Pin, Cotter .062 X .500
0543	06822	1	Pin, Groove; Tapered, 3/16" X 1.00 LG, 303 SS
0559	04001	1	Retaining Ring, .625 Xtrnl "E"
0564	04003	2	Retaining Ring, .500 Xtrnl "E"
0610	04762	6	Screw, .625-11 X 1.75 Hex Head Cap
0611	06466	2	Screw, .625-11 X 2.50 Hex Head Cap, Grade 5
0615	06819	2	Screw, #10-24 X .375 Allen Socket Flat Head
0718	04764	8	Flat Washer, .656 ID 1.312 OD X .095 Thk
0727	40944	1	Washer, Dashpot, Wash Plain
0741	06818	4	Flat Washer, .219 ID .50 OD, .06 Thk, SS
0800	48854	1	Valve Manual

V-30 4" ALUMINUM VALVE

A4611 - Aluminum / STL / Viton-High Viscosity

APPLICABLE FOR VALVES MANUFACTURED AFTER MARCH 26, 1999

Item #	Part #	Qty	Description
0110	40931	1	Housing, Check Valve, Hsg-C/Mlv V30 Body
0124	43976	1	Cap, Valve V-30, TF V-30
0133	43734	1	Cup, High Viscosity, V-30
0138	43956	1	Guide, V-30
0140	09050	2	Bearing, M-Lnr .500 ID, M-Liner Sleeve Brg 1/2
0260	47889	2	Guide, Inner-Bearing
0270	47892	2	Case, Shaft Seal - V-30 Valve Saft
0337	43525	2	Link - V-30
0338	43524	1	Link Arm - Link V-30
0354	46239	1	Seal Ring Bonded Viton, V30 Valve
0368	40987	1	Shaft, Valve - V-30
0370	40967	1	Shaft, Valve Guide, .432 OD X 5.032 Long
0382	43526	1	Spring, Compression Valve Spring, 302 SS
0412	46072	1	Gasket, Flange - M-30-3
0450	09048	2	O-Ring, .75 ID Viton, 1.00 OD X .12 Dia Wall
0455	09311	2	O-Ring, .484 ID Brn Vitan, .762 OD X .139 Dia Wall
0465	40969	1	Ring, Upper-Seal 3.734 ID, Valve Seal
0541	06936	4	Pin, Cotter .062 X .500, 18-8 SS
0543	06822	1	Pin, Groove; Tapered, 3/16" X 1.00 LG, 303 SS
0564	06821	2	Retaining Ring, .500 Xtrnl "E"
0610	04762	2	Screw, .625-11 X 1.75 Hex Head Cap
0611	06466	2	Screw, .625-11 X 2.50 Hex Head Cap Grade 5
0615	06819	2	Screw, #10-24 X .375 Allen Socket Flat Head
0718	04764	8	Flat Washer, .656 ID 1.312 OD .095 Thk
0741	06818	4	Flat Washer, .219 ID .50 OD, .06 Thk, SS
0800	48854	1	Valve Manual

V-30 4" ALUMINUM VALVE

A4612 & A4612A - Aluminum / STL / PTFE			
APPLICABLE FOR VALVES MANUFACTURED AFTER JANUARY 26, 2001			
Item #	Part #	Qty	Description
0110	40931	1	Housing Check Valve, Hsg-C/Vlv V-30 Body
0124	43967	1	Cap, Valve V-30, TF V-30
0133	43529	1	Cup, V-30
0138	43979	1	Guide, V-30 TF
0140	09050	2	Bearing, M-Lnr .500 ID, M-Liner Sleeve Brg 1/2
0260	47889	2	Guide, Inner-Bearing
0270	47892	2	Case, Shaft Seal - V-30 Valve Saft
0337	43525	2	Link - V-30
0338	43524	1	Link Arm - Link V-30
0354	43981	1	Seal, O-Ring PTFE, SL-O/R TF V-30 Valve
0368	40987	1	Shaft, Valve - V-30
0370	40967	1	Shaft, Valve Guide, .437 OD X 5.032 Long
0382	40942	1	Spring, Compression Spring Valve 1.25 OD
0412	40704	2	Gasket, Flange, M30 NITRILE, Type 205, 1/16"
0450	09049	2	O-Ring, .75 ID Viton, 1.00 OD X .12 Dia Wall
0455	09045	2	O-Ring, .50 ID PTFE w/Viton Core .12 Sqr Wall
0465	07202	1	O-Ring, 3.75 ID PTFE 4.00 OD x .12 Dia Wall
0541	04005	4	Pin, Cotter .062 X .500
0543	06822	1	Pin, Groove; Tapered, 3/16" X 1.00 LG, 303 SS
0559	04001	1	Retaining Ring, .625 Xtrnl "E"
0564	04003	2	Retaining Ring, .500 Xtrnl "E"
0572	07203	1	Ring, Lock 3.543 ID Shaft Dia 3.687 X .06 T
0610	04762	6	Screw, .625-11 X 1.75 Hex Head Cap
0611	06466	2	Screw, .625-11 X 2.50 Hex Head Cap Grade 5
0615	06819	2	Screw, #10-24 X .375 Allen Socket Flat Head
0718	04764	8	Flat Washer, .656 ID 1.312 OD X .095 Thk
0727	40944	1	Washer, Dashpot, Washer Plain
0741	06818	4	Flat Washer, .219 ID .50 OD, .06 Thk, SS
0800	48854	1	Valve Manual

V-30 4" ALUMINUM VALVE

A4623 & A4623A - Aluminum / SST / Viton

APPLICABLE FOR VALVES MANUFACTURED AFTER JANUARY 26, 2001

Item #	Part #	Qty	Description
0110	40931	1	Housing, Check Valve, Hsg-C/Mlv V30 Body
0124	43976	1	Cap, Valve V-30 TF V-30
0133	43528	1	Cup, V-30
0138	43956	1	Guide, V-30
0140	09050	2	Bearing, M-Lnr .500 ID, M-Liner Sleeve Brg 1/2
0260	47889	2	Guide, Inner-Bearing
0270	47892	2	Case, Shaft Seal - V-30 Valve Saft
0337	43525	2	Link - V-30
0338	43524	1	Link Arm - Link V-30
0354	46239	1	Seal Ring, Bonded Viton, V30 Valve
0368	40987	1	Shaft, Valve - V-30
0370	40967	1	Shaft, Valve Guide, .437 OD X 5.032 Long
0382	43526	1	Spring, Compression Spring Valve 302 SS
0412	46072	2	Gasket, Flange M30-3
0450	09048	2	O-Ring, .75 ID Viton, 1.00 OD X .12 Dia Wall
0455	09311	2	O-Ring, .484 ID Brn Viton, .762 OD X .139 Dia Wall
0465	40969	1	Ring, Upper-Seal, 3.734 ID, Valve Seals
0541	06936	4	Pin, Cotter .062 X .500 18-8 SS
0543	06822	1	Pin, Groove; Tapered, 3/16" X 1.00 LG, 303 SS
0559	06820	1	Retaining Ring, .625 Xtrnl Basic
0564	06821	2	Retaining Ring, .500 Xtrnl "E"
0610	04762	6	Screw, .625-11 X 1.75 Hex Head Cap
0611	06466	2	Screw, .625-11 X 2.50 Hex Head Cap, Grade 5
0615	06819	2	Screw, #10-24 X .375 Allen Socket Flat Head
0626	04762	4	Screw, .625-11 X 1.75 Hex Head Cap
0718	04764	8	Flat Washer, .656 ID 1.312 OD X .095 Thk
0727	43521	1	Washer, Dashpot, Wash Plain
0741	06818	4	Flat Washer, .219 ID .50 OD, .06 Thk, SS
0800	48854	1	Valve Manual

V-30 4" ALUMINUM VALVE

A4624 & A4624A - Aluminum / SST / Viton			
APPLICABLE FOR VALVES MANUFACTURED AFTER MARCH 26, 1999			
Item #	Part #	Qty	Description
0110	40931	1	Housing, Check Valve, Hsg-C/Plv V30 Body
0124	43976	1	Cap, Valve V-30 TF V-30
0133	43528	1	Cup, V-30
0138	43956	1	Guide, V-30
0140	09050	2	Bearing, M-Lnr .500 ID, M-Liner Sleeve Brg 1/2
0260	47889	2	Guide, Inner-Bearing
0270	47892	2	Case, Shaft Seal - V-30 Valve Saft
0337	43525	2	Link - V-30
0338	43524	1	Link Arm - Link V-30
0354	46239	1	Seal Ring, Bonded Viton, V30 Valve
0368	40987	1	Shaft, Valve - V-30
0370	40967	1	Shaft, Valve Guide, .437 OD X 5.032 Long
0382	43526	1	Spring, Compression Spring Valve 302 SS
0412	40704	2	Gasket, Flange M30-3
0450	09048	2	O-Ring, .75 ID Viton, 1.00 OD X .12 Dia Wall
0455	09311	2	O-Ring, .484 ID Brn Viton, .762 OD X .139 Dia Wall
0465	40969	1	Ring, Upper-Seal, 3.734 ID, Valve Seals
0541	06936	4	Pin, Cotter .062 X .500 18-8 SS
0543	06822	1	Pin, Groove; Tapered, 3/16" X 1.00 LG, 303 SS
0559	06820	1	Retaining Ring, .625 Xtrnl Basic
0564	06821	2	Retaining Ring, .500 Xtrnl "E"
0610	04762	6	Screw, .625-11 X 1.75 Hex Head Cap
0611	06466	2	Screw, .625-11 X 2.50 Hex Head Cap, Grade 5
0615	06819	2	Screw, #10-24 X .375 Allen Socket Flat Head
0626	04762	4	Screw, .625-11 X 1.75 Hex Head Cap
0718	04764	8	Flat Washer, .656 ID 1.312 OD X .095 Thk
0727	43521	1	Washer, Dashpot, Wash Plain
0741	06818	4	Flat Washer, .219 ID .50 OD, .06 Thk, SS
0800	48854	1	Valve Manual

V-30 4" ALUMINUM VALVE

ACCESSORIES

A4710 - Linkage Assembly

Applicable for valves manufactured after August 1, 1993

Item #	Part #	Qty	Description
0125	40984	1	Handle Assembly, Valve V-15 & V30
0337	40964	1	Link, Operating Link V30 Operating
0376	40963	2	Sleeve, Preset, .625 OD X .095 W X .50 L
0514	46545	1	Extension, Ball Joint Special .375 (M-30+SA)
0515	04401	1	Ball Joint, Snap-off, .38-24, Shank LG .50
0534	06075	2	Nut, .375-16 Selflocking Hex Light
0535	06050	1	Nut, .250-28 Selflocking ESNA #79NTE-048
0615	06645	1	Screw, .250-28 X .500 Sltd Pan HD
0700	06054	1	Lock Washer, .375 Spring

A3718 - Linkage Assembly - M30 Class 7, 27, 37, 47

Applicable for valves manufactured after August 1, 1993

Item #	Part #	Qty	Description
0001	04094	1	Knob, Ball 1.375 Dia .375-16 Thd
0002	04393	2	Retaining Ring, .375 Xtrnl "E"
0003	04401	1	Ball Joint, Snap-off .38-24 Shank Lg .50
0004	04638	1	Ball Joint, .25-28 X .31, "SO"-107
0005	06054	1	Lock Washer, .375 Spring
0006	06075	4	Nut, .375-16 Selflocking Hex, Light
0007	06081	1	Lock Washer, .25 Spring, Heavy
0008	09079	4	Screw, #10-24 X .625 Hex Head, SEMS, SS
0010	06948	1	Pin, Groove .125 X .750
0012	07304	2	Retaining Ring, .250 Xtrnl "E" Reinforced
0013	40948	2	Pivot, Spherical, .75 Spher Dia
0014	40963	4	Sleeve, Preset, .625 OD X .095 W X .50 L
0015	40986	1	Link Assembly, Stub, V15
0018	43087	1	Handle, Extended Link
0019	43090	1	Link, Preset
0020	40827	1	Link, Operating
0021	43652	1	Bracket, Lift, V7
0022	44688	1	Extension, Handle .375 Dia Stk X 5.187 L
0024	45345	1	Shaft, Valve handle, 303 SS, V7 Valve

ACCESSORIES

A5712 - Linkage Assembly - M60, MS15, MS30

Applicable for valves manufactured after August 1, 1993

0001	04094	1	Knob, Ball 1.375 Dia .375-16 Thd
0002	04393	2	Retaining Ring, .375 Xtrnl "E"
0003	04401	1	Ball Joint, Snap-off .38-24 Shank Lg .50
0004	04638	1	Ball Joint, .25-28 X .31, "SO"-107
0005	06054	1	Lock Washer, .375 Spring
0006	06075	4	Nut, .375-16 Selflocking Hex, Light
0007	06050	1	Nut, .250-28 Selflocking ESNA #79NTE-048
0008	09079	4	Screw, #10-24 X .625 Hex Head, SEMS, SS
0010	06948	1	Pin, Groove .125 X .750
0012	07304	2	Retaining Ring, .250 Xtrnl "E" Reinforced
0013	40948	2	Pivot, Spherical, .75 Spher Dia
0014	40963	4	Sleeve, Preset, .625 OD X .095 W X .50 L
0015	40986	1	Link Assembly, Stub, V15
0018	43087	1	Handle, Extended Link
0019	43090	1	Link, Preset
0020	44069	1	Linkage, Horizontal, Linkage M70 & MS75
0021	43652	1	Bracket, Lift, V7
0022	44688	1	Extension, Handle .375 Dia Stk X 5.187 L
0024	45345	1	Shaft, Valve handle, 303 SS, V7 Valve

V-30 4" ALUMINUM VALVE

ACCESSORIES

A3730 - Linkage Assembly - Counter Extension

Applicable for valves manufactured after August 1, 1993

Item #	Part #	Qty	Description
0001	04094	1	Knob, Ball 1.375 Dia .375-16 Thd
0002	04393	2	Retaining Ring, .375 Xtrnl "E"
0003	04401	1	Ball Joint, Snap-off .38-24 Shank Lg .50
0004	04638	1	Ball Joint, .25-28 X .31, "SO"-107
0005	06054	1	Lock Washer, .375 Spring
0006	06075	4	Nut, .375-16 Selflocking Hex, Light
0007	06081	1	Lock Washer, .25 Spring, Heavy
0008	09079	4	Screw, #10-24 X .625 Hex Head, SEMS, SS
0010	06948	1	Pin, Groove .125 X .750
0012	07304	2	Retaining Ring, .250 Xtrnl "E" Reinforced
0013	40948	2	Pivot, Spherical, .75 Spher Dia
0014	40963	4	Sleeve, Preset, .625 OD X .095 W X .50 L
0015	40986	1	Link Assembly, Stub, V15
0018	43087	1	Handle, Extended Link
0019	43090	1	Link, Preset
0020	43093	1	Linkage, Vertical MS30
0021	43652	1	Bracket, Lift, V7
0022	44688	1	Extension, Handle .375 Dia Stk X 5.187 L
0024	45345	1	Shaft, Valve handle, 303 SS, V7 Valve

VS-3 3" STEEL CASE VALVE

A3650-1 - Cast Steel / AL / Viton-150# ANSI Flanged			
APPLICABLE FOR VALVES MANUFACTURED AFTER JULY 9, 1999			
Item #	Part #	Qty	Description
0110	45513	1	Housing Assembly, Steel Valve, 3" Steel Valve, 150#
0124	45533	1	Cap Assembly, Steel Valve
0133	43528	1	Cup, V-30
0138	45530	1	Guide, Machined Guide VS-30
0139	45521	2	Guide, Retainer ring VS3
0140	09050	2	Bearing, M-Lnr .500 ID, M-Liner Sleeve Brg 1/2
0260	47890	2	Guide, Inner-Bearing SS
0270	47893	2	Case, Shaft Seal - V-30 Valve Saft
0337	43525	2	Link - V-30
0338	43524	1	Link Arm - Link V-30
0354	46239	1	Seal Ring, Bonded Viton, V30 Valve
0368	45507	1	Shaft, Cap Valve Shaft - V-30
0370	40967	1	Shaft, Valve Guide, .437 OD X 5.032 Long
0382	40942	1	Spring, Compression Spring Valve 1.25 OD
0420	07261	1	Gasket, Flange 3" RNG Type, Slip-on 150 #
0450	07504	1	O-Ring, 6.75 ID Viton, 7.00 OD X .12 Dia Wall
0451	09048	2	O-Ring, .75 ID Viton 1.00 OD X .12 Dia Wall
0453	40969	1	Ring, Upper-Seal 3.734 ID, Valve Seal
0455	07611	1	O-Ring, 4.62 ID Viton, 4.88 OD X .12 Dia Wall
0456	09311	2	O-Ring, .484 ID Brn Viton .762 OD X .139 Dia Wall
0533	07212	4	Nut, .625-11 Hex Nut
0541	04005	4	Pin, Cotter .062 X .500
0543	06822	1	Pin, Groove; Tapered, 3/16" X 1.00 LG, 303 SS
0559	04001	1	Retaining Ring, .625 Xtrnl "E"
0564	04003	2	Retaining Ring, .500 Xtrnl "E"
0611	07255	4	Screw, .750-10 X 2.25 Hex Head, Grade 5
0614	07293	4	Screw, .625-11 X 2.75 Hex Head Cap
0627	07613	4	Screw, .250-20 X .625 Hex Head
0650	45241	1	Kit, Stud Nut & Gasket 3" 150 # ANSI FL
0718	07256	4	Flat Washer, .795 ID 1.355 OD X .09-.11 Thk
0727	40944	1	Washer, Dashpot, Wash Plain
0741	04789	4	Flat Washer, .219 ID .50 OD, .06 Thk
0745	06081	4	Lock Washer, .25 Spring Heavy
0800	48854	1	Valve Manual

VS-3 3" STEEL CASE VALVE

A3650-2 - Cast Steel / C.I. / Viton-150# ANSI Flanged

APPLICABLE FOR VALVES MANUFACTURED AFTER JULY 9, 1999

Item #	Part #	Qty	Description
0110	45513	1	Housing Assembly, Steel Valve, 3" Steel Valve, 150#
0124	45533	1	Cap Assembly, Steel Valve
0133	45528	1	Cup, Machined Cup VS 30 IR
0138	45529	1	Guide, Machined Guide VS30 IR
0139	45521	2	Guide, Retainer ring VS3
0140	09050	2	Bearing, M-Lnr .500 ID, M-Liner Sleeve Brg 1/2
0260	47890	2	Guide, Inner-Bearing SS
0270	47893	2	Case, Shaft Seal - V-30 Valve Saft
0337	43525	2	Link - V-30
0338	45531	1	Link Arm - Link VS30 IR
0354	46239	1	Seal Ring, Bonded Viton, V30 Valve
0368	45507	1	Shaft, Cap Valve Shaft - V-30
0370	40967	1	Shaft, Valve Guide, .437 OD X 5.032 Long
0382	40942	1	Spring, Compression Spring Valve 1.25 OD
0420	07261	1	Gasket, Flange 3" RNG Type, Slip-on 150 #
0450	07504	1	O-Ring, 6.75 ID Viton, 7.00 OD X .12 Dia Wall
0451	09048	2	O-Ring, .75 ID Viton 1.00 OD X .12 Dia Wall
0453	40969	1	Ring, Upper-Seal 3.734 ID, Valve Seal
0455	07611	1	O-Ring, 4.62 ID Viton, 4.88 OD X .12 Dia Wall
0456	09311	2	O-Ring, .484 ID Brn Viton .762 OD X .139 Dia Wall
0533	07212	4	Nut, .625-11 Hex Nut
0541	04005	4	Pin, Cotter .062 X .500
0543	06822	1	Pin, Groove; Tapered, 3/16" X 1.00 LG, 303 SS
0559	04001	1	Retaining Ring, .625 Xtrnl "E"
0564	04003	2	Retaining Ring, .500 Xtrnl "E"
0611	07255	4	Screw, .750-10 X 2.25 Hex Head, Grade 5
0614	07293	4	Screw, .625-11 X 2.75 Hex Head Cap
0627	07613	4	Screw, .250-20 X .625 Hex Head
0650	45241	1	Kit, Stud Nut & Gasket 3 In 150 # ANSI FL
0718	07256	4	Flat Washer, .795 ID 1.355 OD X .09-.11 Thk
0727	40944	1	Washer, Dashpot, Wash Plain
0741	04789	4	Flat Washer, .219 ID .50 OD, .06 Thk
0745	06081	4	Lock Washer, .25 Spring Heavy
0800	48854	1	Valve Manual

VS-3 3" STEEL CASE VALVE

A3652-1 - Cast Steel / AI / PTFE-150# ANSI Flanged			
APPLICABLE FOR VALVES MANUFACTURED AFTER JULY 9, 1999			
Item #	Part #	Qty	Description
0110	45513	1	Housing Assembly, Steel Valve, 3" Steel Valve, 150#
0124	45533	1	Cap Assembly, Steel Valve
0133	43528	1	Cup, V-30
0138	45527	1	Guide, Machined Guide VS-30 with PTFE
0139	45521	2	Guide, Retainer ring VS3
0140	09050	2	Bearing, M-Lnr .500 ID, M-Liner Sleeve Brg 1/2
0260	47890	2	Guide, Inner-Bearing SS
0270	47893	2	Case, Shaft Seal - V-30 Valve Saft
0337	43525	2	Link - V-30
0338	43524	1	Link Arm - Link V-30
0354	43981	1	Seal O-Ring, PTFE, SL-O/R PTFE V30 Valve
0368	45507	1	Shaft, Cap Valve Shaft - V-30
0370	40967	1	Shaft, Valve Guide, .437 OD X 5.032 Long
0382	40942	1	Spring, Compression Spring Valve 1.25 OD
0420	07261	1	Gasket, Flange 3" RNG Type, Slip-on 150 #
0450	07608	1	O-Ring, 6.75 ID PTFE, 7.00 OD X .12 Dia Wall
0451	09049	2	O-Ring, .75 ID PTFE 1.00 OD X .12 Dia Wall
0453	07202	1	O-Ring, 3.75 ID PTFE, 4.00 OD X .12 Dia Wall
0455	07612	1	O-Ring, 4.62 ID PTFE, 4.88 OD X .12 Dia Wall
0456	09045	2	O-Ring, .50 ID PTFE with Viton Core .12 Sqr Wall
0533	07212	4	Nut, .625-11 Hex Nut
0541	04005	4	Pin, Cotter .062 X .500
0543	06822	1	Pin, Groove; Tapered, 3/16" X 1.00 LG, 303 SS
0559	04001	1	Retaining Ring, .625 Xtrnl "E"
0564	04003	2	Retaining Ring, .500 Xtrnl "E"
0572	07203	1	Ring, Lock 3.543 ID Shaft Dia 3.687 X .06 PTFE
0611	07255	4	Screw, .750-10 X 2.25 Hex Head, Grade 5
0614	07293	4	Screw, .625-11 X 2.75 Hex Head Cap
0627	07613	4	Screw, .250-20 X .625 Hex Head
0650	45241	1	Kit, Stud Nut & Gasket 3 In 150 # ANSI FL
0718	07256	4	Flat Washer, .795 ID 1.355 OD X .09-.11 Thk
0727	40944	1	Washer, Dashpot, Wash Plain
0741	04789	4	Flat Washer, .219 ID .50 OD, .06 Thk
0745	06081	4	Lock Washer, .25 Spring Heavy
0800	48854	1	Valve Manual

VS-3 3" STEEL CASE VALVE

A3652-2 - Cast Steel / C.I. / PTFE-150# ANSI Flanged

APPLICABLE FOR VALVES MANUFACTURED AFTER JULY 9, 1999

Item #	Part #	Qty	Description
0110	45513	1	Housing Assembly, Steel Valve, 3" Steel Valve, 150#
0124	45533	1	Cap Assembly, Steel Valve
0133	45528	1	Cup, Machined Cup VS 30 IR
0138	45526	1	Guide, Machined Guide VS-30 IR
0139	45521	2	Guide, Retainer ring VS3
0140	09050	2	Bearing, M-Lnr .500 ID, M-Liner Sleeve Brg 1/2
0260	47890	2	Guide, Inner-Bearing SS
0270	47893	2	Case, Shaft Seal - V-30 Valve Saft
0337	43525	2	Link - V-30
0338	45531	1	Arm, Link (Machined) - Arm-Link VS-30 IR
0354	43981	1	Seal O-Ring, PTFE, SL-O/R PTFE V30 Valve
0368	45507	1	Shaft, Cap Valve Shaft - V-30
0370	40967	1	Shaft, Valve Guide, .437 OD X 5.032 Long
0382	40942	1	Spring, Compression Spring Valve 1.25 OD
0420	07261	1	Gasket, Flange 3" RNG Type, Slip-on 150 #
0450	07608	1	O-Ring, 6.75 ID PTFE, 7.00 OD X .12 Dia Wall
0451	09049	2	O-Ring, .75 ID PTFE 1.00 OD X .12 Dia Wall
0453	07202	1	O-Ring, 3.75 ID PTFE, 4.00 OD X .12 Dia Wall
0455	07612	1	O-Ring, 4.62 ID PTFE, 4.88 OD X .12 Dia Wall
0456	09045	2	O-Ring, .50 ID PTFE w/Vitn Core .12 Sqr Wall
0533	07212	4	Nut, .625-11 Hex Nut
0541	04005	4	Pin, Cotter .062 X .500
0543	06822	1	Pin, Groove; Tapered, 3/16" X 1.00 LG, 303 SS
0559	04001	1	Retaining Ring, .625 Xtrnl "E"
0564	04003	2	Retaining Ring, .500 Xtrnl "E"
0572	07203	1	Ring, Lock 3.543 ID Shaft Dia 3.687 X .06 PTFE
0611	07255	4	Screw, .750-10 X 2.25 Hex Head, Grade 5
0614	07293	4	Screw, .625-11 X 2.75 Hex Head Cap
0627	07613	4	Screw, .250-20 X .625 Hex Head
0650	45241	1	Kit, Stud Nut & Gasket 3 In 150 # ANSI FL
0718	07256	4	Flat Washer, .795 ID 1.355 OD X .09-.11 Thk
0727	40944	1	Washer, Dashpot, Wash Plain
0741	04789	4	Flat Washer, .219 ID .50 OD, .06 Thk
0745	06081	4	Lock Washer, .25 Spring Heavy
0800	48854	1	Valve Manual

VS-3 3" STEEL CASE VALVE

A3655-1 - Cast Steel / AL / Viton-300# ANSI Flanged

APPLICABLE FOR VALVES MANUFACTURED AFTER JULY 9, 1999

Item #	Part #	Qty	Description
0110	45523	1	Housing Assembly, Steel Valve, 3" Steel Valve, 300#
0124	45533	1	Cap Assembly, Steel Valve
0133	43528	1	Cup, V30
0138	45530	1	Guide, Machined Guide VS30
0139	45521	2	Guide, Retainer ring VS3
0140	09050	2	Bearing, M-Lnr .500 ID, M-Liner Sleeve Brg 1/2
0260	47890	2	Guide, Inner-Bearing SS
0270	47893	2	Case, Shaft Seal - V-30 Valve Saft
0337	43525	2	Link - V-30
0338	43524	1	Link Arm, Link V-30
0354	46239	1	Seal O-Ring, Bonded Viton V30 Valve
0368	45507	1	Shaft, Cap Valve Shaft - V-30
0370	40967	1	Shaft, Valve Guide, .437 OD X 5.032 Long
0382	40942	1	Spring, Compression Spring Valve 1.25 OD
0420	07262	1	Gasket, Flange 3" RNG Type, Slip-on 300 #
0450	07504	1	O-Ring, 6.75 ID Viton, 7.00 OD X .12 Dia Wall
0451	09048	2	O-Ring, .75 ID Viton 1.00 OD X .12 Dia Wall
0453	40969	1	Ring, Upper-Seal 3.734 ID, Valve Seal
0455	07611	1	O-Ring, 4.62 ID Viton, 4.88 OD X .12 Dia Wall
0456	09311	2	O-Ring, .484 ID Brn Viton .762 OD X .139 Dia Wall
0533	06985	8	Nut, .750-10 Hex Nut Grade 2
0541	04005	4	Pin, Cotter .062 X .500
0543	06822	1	Pin, Groove; Tapered, 3/16" X 1.00 LG, 303 SS
0559	04001	1	Retaining Ring, .625 Xtrnl "E"
0564	04003	2	Retaining Ring, .500 Xtrnl "E"
0611	07255	4	Screw, .750-10 X 2.25 Hex Head, Grade 5
0614	07259	8	Screw, .750-10 X 3.50 Hex Head, Grade 5
0627	07613	4	Screw, .250-20 X .625 Hex Head
0650	45242	1	Kit, Stud Nut & Gasket 3 In 300 # ANSI FL
0718	07256	4	Flat Washer, .795 ID 1.355 OD X .09-.11 Thk
0727	40944	1	Washer, Dashpot, Wash Plain
0741	04789	4	Flat Washer, .219 ID .50 OD, .06 Thk
0745	06081	4	Lock Washer, .25 Spring Heavy
0800	48854	1	Valve Manual

VS-3 3" STEEL CASE VALVE

A3655-2 - Cast Steel / C.I. / Viton-300# ANSI Flanged

APPLICABLE FOR VALVES MANUFACTURED AFTER JULY 9, 1999

Item #	Part #	Qty	Description
0110	45523	1	Housing Assembly, Steel Valve, 3" Steel Valve, 300#
0124	45533	1	Cap Assembly, Steel Valve
0133	45528	1	Cup, Machined VS 30 IR
0138	45529	1	Guide, Machined Guide VS30 IR
0139	45521	2	Guide, Retainer ring VS3
0140	09050	2	Bearing, M-Lnr .500 ID, M-Liner Sleeve Brg 1/2
0260	47890	2	Guide, Inner-Bearing SS
0270	47893	2	Case, Shaft Seal - V-30 Valve Saft
0337	43525	2	Link - V-30
0338	45531	1	Arm, Link (Machined) Arm-Link VS-30 IR
0354	46239	1	Seal O-Ring, Bonded Viton V30 Valve
0368	45507	1	Shaft, Cap Valve Shaft - V-30
0370	40967	1	Shaft, Valve Guide, .437 OD X 5.032 Long
0382	40942	1	Spring, Compression Spring Valve 1.25 OD
0420	07262	1	Gasket, Flange 3" RNG Type, Slip-on 300 #
0450	07504	1	O-Ring, 6.75 ID Viton, 7.00 OD X .12 Dia Wall
0451	09048	2	O-Ring, .75 ID Viton 1.00 OD X .12 Dia Wal
0453	40969	1	Ring, Upper-Seal 3.734 ID, Valve Seal
0455	07611	1	O-Ring, 4.62 ID Viton, 4.88 OD X .12 Dia Wall
0456	09311	2	O-Ring, .484 ID Brn Viton .762 OD X .139 Dia Wall
0533	06985	8	Nut, .750-10 Hex Nut Grade 2
0541	04005	4	Pin, Cotter .062 X .500
0543	06822	1	Pin, Groove; Tapered, 3/16" X 1.00 LG, 303 SS
0559	04001	1	Retaining Ring, .625 Xtrnl "E"
0564	04003	2	Retaining Ring, .500 Xtrnl "E"
0611	07255	4	Screw, .750-10 X 2.25 Hex Head, Grade 5
0614	07259	8	Screw, .750-10 X 3.50 Hex Head, Grade 5
0627	07613	4	Screw, .250-20 X .625 Hex Head
0650	45242	1	Kit, Stud Nut & Gasket 3 In 300 # ANSI FL
0718	07256	4	Flat Washer, .795 ID 1.355 OD X .09-.11 Thk
0727	40944	1	Washer, Dashpot, Wash Plain
0741	04789	4	Flat Washer, .219 ID .50 OD, .06 Thk
0745	06081	4	Lock Washer, .25 Spring Heavy
0800	48854	1	Valve Manual

VS-3 3" STEEL CASE VALVE

A3657-2 - Cast Steel / C.I. / Viton-150# Flat Face Flanged

APPLICABLE FOR VALVES MANUFACTURED AFTER JULY 9, 1999

Item #	Part #	Qty	Description
0110	47486	1	Weldment, 3" Valve HSG Valve 3" CL7 125# ST
0124	45533	1	Cap Assembly, Steel Valve
0133	45528	1	Cup, Machined VS 30 IR
0138	45529	1	Guide, Machined Guide VS30 IR
0139	45521	2	Guide, Retainer ring VS3
0140	09050	2	Bearing, M-Lnr .500 ID, M-Liner Sleeve Brg 1/2
0260	47890	2	Guide, Inner-Bearing SS
0270	47893	2	Case, Shaft Seal - V-30 Valve Saft
0337	43525	2	Link - V-30
0338	45531	1	Arm, Link (Machined) Arm-Link VS-30 IR
0354	46239	1	Seal O-Ring, Bonded Viton V30 Valve
0368	45507	1	Shaft, Cap Valve Shaft - V-30
0370	40967	1	Shaft, Valve Guide, .437 OD X 5.032 Long
0382	40942	1	Spring, Compression Spring Valve 1.25 OD
0420	07261	1	Gasket, Flange 3" RNG Type, Slip-on 150 #
0450	07504	1	O-Ring, 6.75 ID Viton, 7.00 OD X .12 Dia Wall
0451	09048	2	O-Ring, .75 ID Viton 1.00 OD X .12 Dia Wal
0453	40969	1	Ring, Upper-Seal 3.734 ID, Valve Seal
0455	07611	1	O-Ring, 4.62 ID Viton, 4.88 OD X .12 Dia Wall
0456	09311	2	O-Ring, .484 ID Brn Viton .762 OD X .139 Dia Wall
0533	07212	4	Nut, .625-11 Hex Nut
0541	04005	4	Pin, Cotter .062 X .500
0543	06822	1	Pin, Groove; Tapered, 3/16" X 1.00 LG, 303 SS
0559	04001	1	Retaining Ring, .625 Xtrnl "E"
0564	04003	2	Retaining Ring, .500 Xtrnl "E"
0611	07255	4	Screw, .750-10 X 2.25 Hex Head, Grade 5
0614	07293	4	Screw, .625-11 X 2.75 Hex Head Cap
0627	07613	4	Screw, .250-20 X .625 Hex Head
0650	45249	1	Kit, Stud Nut & Gasket 3 In 125 # Flat Face FL
0718	07256	4	Flat Washer, .795 ID 1.355 OD X .09-.11 Thk
0727	40944	1	Washer, Dashpot, Wash Plain
0741	04789	4	Flat Washer, .219 ID .50 OD, .06 Thk
0745	06081	4	Lock Washer, .25 Spring Heavy
0800	48854	1	Valve Manual

VS-3 3" STEEL CASE VALVE

A3658-2 - Cast Steel / C.I. / PTFE-150# Flat Face Flanged

APPLICABLE FOR VALVES MANUFACTURED AFTER JULY 9, 1999

Item #	Part #	Qty	Description
0110	47486	1	Weldment, 3" Valve HSG Valve 3" CL7 125# ST
0124	45533	1	Cap Assembly, Steel Valve
0133	45528	1	Cup, Machined VS 30 IR
0138	45526	1	Guide, Machined Guide VS30 IR
0139	45521	2	Guide, Retainer ring VS3
0140	09050	2	Bearing, M-Lnr .500 ID, M-Liner Sleeve Brg 1/2
0260	47890	2	Guide, Inner-Bearing SS
0270	47893	2	Case, Shaft Seal - V-30 Valve Saft
0337	43525	2	Link - V-30
0338	45531	1	Arm, Link (Machined) Arm-Link VS-30 IR
0354	43981	1	Seal O-Ring, PTFE, SL-O/R TF V30 Valve
0368	45507	1	Shaft, Cap Valve Shaft - V-30
0370	40967	1	Shaft, Valve Guide, .437 OD X 5.032 Long
0382	40942	1	Spring, Compression Spring Valve 1.25 OD
0390	07269	2	Bearing, Sleeve M-Lnr, Rulon, .50 ID to .625 Lng
0420	07261	1	Gasket, Flange 3" RNG Type, Slip-on 150 #
0450	07608	1	O-Ring, 6.75 ID PTFE, 7.00 OD X .12 Dia Wall
0451	09049	2	O-Ring, .75 ID PTFE 1.00 OD X .12 Dia Wall
0453	07202	1	O-Ring, 3.75 ID PTFE, 4.00 OD X .12 Dia Wall
0455	07612	1	O-Ring, 4.62 ID PTFE, 4.88 OD X .12 Dia Wall
0456	09045	2	O-Ring, .50 ID PTFE w/Vitn Core .12 Dia Wall
0533	07212	4	Nut, .625-11 Hex Nut
0541	04005	4	Pin, Cotter .062 X .500
0543	06822	1	Pin, Groove; Tapered, 3/16" X 1.00 LG, 303 SS
0559	04001	1	Retaining Ring, .625 Xtrnl "E"
0564	04003	2	Retaining Ring, .500 Xtrnl "E"
0572	07203	1	Ring, Lock 3.543 ID Shaft Dia 3.687 X .06 T
0611	07255	4	Screw, .750-10 X 2.25 Hex Head, Grade 5
0614	07293	4	Screw, .625-11 X 2.75 Hex Head Cap
0627	07613	4	Screw, .250-20 X .625 Hex Head
0650	45249	1	Kit, Stud Nut & Gasket 3 In 125 # Flat Face FL
0718	07256	4	Flat Washer, .795 ID 1.355 OD X .09-.11 Thk
0727	40944	1	Washer, Dashpot, Wash Plain
0741	04789	4	Flat Washer, .219 ID .50 OD, .06 Thk
0745	06081	4	Lock Washer, .25 Spring Heavy
0800	48854	1	Valve Manual

VS-3 3" STEEL CASE VALVE

ACCESSORIES

A5712 - Linkage Assembly - M60, MS15 & MS30

Applicable for valves manufactured after July 23, 1996

Item #	Part #	Qty	Description
0001	04094	1	Knob, Ball 1.375 Dia .375-16 Thd
0002	04393	2	Retaining Ring, .375 Xtrnl "E"
0003	04401	1	Ball Joint, Snap-off .38-24 Shank Lg .50
0004	04638	1	Ball Joint, .25-28 X .31, "SO"-107
0005	06054	1	Lock Washer, .375 Spring
0006	06075	4	Nut, .375-16 Selflocking Hex, Light
0007	06050	1	Nut, .250-28 Selflocking, ESNA #79NTE-048
0008	09079	4	Screw, #10-24 X .625 Hex Head, SEMS, SS
0010	06948	1	Pin, Groove .125 X .750
0012	07304	2	Retaining Ring, .250 Xtrnl "E" Reinforced
0013	40948	2	Pivot, Shperical, .75 Spher Dia
0014	40963	4	Sleeve, Preset, .625 OD X .095 W X .50 L
0015	40986	1	Link Assembly, Stub, V15
0018	43087	1	Handle, Extended Link, Handle Linkage Ext.
0019	43090	1	Link, Preset
0020	44069	1	Linkage, Horizontal, Linkage M70 & MS75
0021	43652	1	Bracket, Lift - Lift Bar V7
0022	44688	1	Extension, Handle, .375Dia Stk X 5.187 L
0024	45345	1	Shaft, Valve Handle - 303 SS, V7 Valve

A3730 - Linkage Assembly - Counter Extension

Applicable for valves manufactured after August 1, 1993

0001	04094	1	Knob, Ball 1.375 Dia .375-16 Thd
0002	04393	2	Retaining Ring, .375 Xtrnl "E"
0003	04401	1	Ball Joint, Snap-off .38-24 Shank Lg .50
0004	04638	1	Ball Joint, .25-28 X .31, "SO"-107
0005	06054	1	Lock Washer, .375 Spring
0006	06075	4	Nut, .375-16 Selflocking Hex, Light
0007	06081	1	Lock Washer, .25 Spring, Heavy
0008	09079	4	Screw, #10-24 X .625 Hex Head, SEMS, SS
0010	06948	1	Pin, Groove .125 X .750
0012	07304	2	Retaining Ring, .250 Xtrnl "E" Reinforced
0013	40948	2	Pivot, Shperical, .75 Spher Dia
0014	40963	4	Sleeve, Preset, .625 OD X .095 W X .50 L
0015	40986	1	Link Assembly, Stub, V15
0018	43087	1	Handle, Extended Link
0019	43090	1	Link, Preset
0020	43093	1	Link, Vertical; MS30
0021	43652	1	Bracket, Lift - Bracket Lift Bar V7
0022	44688	1	Extension, Handle .375 Dia Stk X 5.187 L
0024	45345	1	Shaft, Valve handle, 303 SS, V7 Valve

VS-4 4" STEEL CASE VALVE

A4650-1 - Cast Steel / AL / Viton-150# ANSI Flanged

APPLICABLE FOR VALVES MANUFACTURED AFTER JULY 9, 1999

Item #	Part #	Qty	Description
0110	45514	1	Housing Assembly, Steel Valve, 4" Steel Valve, 150#
0124	45533	1	Cap Assembly, Steel Valve
0133	43528	1	Cup, V-30
0138	45530	1	Guide, Machined Guide VS-30
0139	45521	2	Guide, Retainer ring VS3
0140	09050	2	Bearing, M-Lnr .500 ID, M-Liner Sleeve Brg 1/2
0260	47890	2	Guide, Inner-Bearing SS
0270	47893	2	Case, Shaft Seal - V-30 Valve Saft
0337	43525	2	Link - V-30
0338	43524	1	Link Arm - Link V-30
0354	46239	1	Seal Ring, Bonded Viton, V30 Valve
0368	45507	1	Shaft, Cap Valve Shaft - V-30
0370	40967	1	Shaft, Valve Guide, .437 OD X 5.032 Long
0382	40942	1	Spring, Compression Spring Valve 1.25 OD
0420	07263	1	Gasket, Flange 4" RNG Type, Slip-on 150 #
0450	07504	1	O-Ring, 6.75 ID Viton, 7.00 OD X .12 Dia Wall
0451	09048	2	O-Ring, .75 ID Viton 1.00 OD X .12 Dia Wall
0453	40969	1	Ring, Upper-Seal 3.734 ID, Valve Seal
0455	07611	1	O-Ring, 4.62 ID Viton, 4.88 OD X .12 Dia Wall
0456	09311	2	O-Ring, .484 ID Brn Viton .762 OD X .139 Dia Wall
0533	07212	8	Nut, .625-11 Hex Nut
0541	04005	4	Pin, Cotter .062 X .500
0543	06822	1	Pin, Groove; Tapered, 3/16" X 1.00 LG, 303 SS
0559	04001	1	Retaining Ring, .625 Xtrnl "E"
0564	04003	2	Retaining Ring, .500 Xtrnl "E"
0611	07255	4	Screw, .750-10 X 2.25 Hex Head, Grade 5
0614	07293	8	Screw, .625-11 X 2.75 Hex Head Cap
0627	07613	4	Screw, .250-20 X .625 Hex Head
0650	45248	1	Kit, Stud Nut & Gasket 4 In 150 # ANSI FL
0718	07256	4	Flat Washer, .795 ID 1.355 OD X .09-.11 Thk
0727	40944	1	Washer, Dashpot, Wash Plain
0741	04789	4	Flat Washer, .219 ID .50 OD, .06 Thk
0745	06081	4	Lock Washer, .25 Spring Heavy
0800	48854	1	Valve Manual

VS-4 4" STEEL CASE VALVE

A4650-2 - Cast Steel / C.I. / Viton-150# ANSI Flanged <small>APPLICABLE FOR VALVES MANUFACTURED AFTER JULY 9, 1999</small>			
Item #	Part #	Qty	Description
0110	45514	1	Housing Assembly, Steel Valve, 4" Steel Valve, 150#
0124	45533	1	Cap Assembly, Steel Valve
0133	45528	1	Cup, Machined Cup VS 30 IR
0138	45529	1	Guide, Machined Guide VS30 IR
0139	45521	2	Guide, Retainer ring VS3
0140	09050	2	Bearing, M-Lnr .500 ID, M-Liner Sleeve Brg 1/2
0260	47890	2	Guide, Inner-Bearing SS
0270	47893	2	Case, Shaft Seal - V-30 Valve Saft
0337	43525	2	Link - V-30
0338	45531	1	Link Arm - Link VS30 IR
0354	46239	1	Seal Ring, Bonded Viton, V30 Valve
0368	45507	1	Shaft, Cap Valve Shaft - V-30
0370	40967	1	Shaft, Valve Guide, .437 OD X 5.032 Long
0382	40942	1	Spring, Compression Spring Valve 1.25 OD
0420	07263	1	Gasket, Flange 4" RNG Type, Slip-on 150 #
0450	07504	1	O-Ring, 6.75 ID Viton, 7.00 OD X .12 Dia Wall
0451	09048	2	O-Ring, .75 ID Viton 1.00 OD X .12 Dia Wall
0453	40969	1	Ring, Upper-Seal 3.734 ID, Valve Seal
0455	07611	1	O-Ring, 4.62 ID Viton, 4.88 OD X .12 Dia Wall
0456	09311	2	O-Ring, .484 ID Brn Viton .762 OD X .139 Dia Wall
0533	07212	8	Nut, .625-11 Hex Nut
0541	04005	4	Pin, Cotter .062 X .500
0543	06822	1	Pin, Groove; Tapered, 3/16" X 1.00 LG, 303 SS
0559	04001	1	Retaining Ring, .625 Xtrnl "E"
0564	04003	2	Retaining Ring, .500 Xtrnl "E"
0611	07255	4	Screw, .750-10 X 2.25 Hex Head, Grade 5
0614	07293	8	Screw, .625-11 X 2.75 Hex Head Cap
0627	07613	4	Screw, .250-20 X .625 Hex Head
0650	45248	1	Kit, Stud Nut & Gasket 4 In 150 # ANSI FL
0718	07256	4	Flat Washer, .795 ID 1.355 OD X .09-.11 Thk
0727	40944	1	Washer, Dashpot, Wash Plain
0741	04789	4	Flat Washer, .219 ID .50 OD, .06 Thk
0745	06081	4	Lock Washer, .25 Spring Heavy
0800	48854	1	Valve Manual

VS-4 4" STEEL CASE VALVE

A4652-1 - Cast Steel / AI / PTFE-150# ANSI Flanged

APPLICABLE FOR VALVES MANUFACTURED AFTER JULY 9, 1999

Item #	Part #	Qty	Description
0110	45514	1	Housing Assembly, Steel Valve, 4" Steel Valve, 150#
0124	45533	1	Cap Assembly, Steel Valve
0133	43528	1	Cup, V-30
0138	45527	1	Guide, Machined Guide VS-30 with PTFE
0139	45521	2	Guide, Retainer ring VS3
0140	09050	2	Bearing, M-Lnr .500 ID, M-Liner Sleeve Brg 1/2
0260	47890	2	Guide, Inner-Bearing SS
0270	47893	2	Case, Shaft Seal - V-30 Valve Saft
0337	43525	2	Link - V-30
0338	43524	1	Link Arm - Link V-30
0354	43981	1	Seal O-Ring, PTFE, SL-O/R PTFE V30 Valve
0368	45507	1	Shaft, Cap Valve Shaft - V-30
0370	40967	1	Shaft, Valve Guide, .437 OD X 5.032 Long
0382	40942	1	Spring, Compression Spring Valve 1.25 OD
0420	07263	1	Gasket, Flange 4" RNG Type, Slip-on 150 #
0450	07608	1	O-Ring, 6.75 ID PTFE, 7.00 OD X .12 Dia Wall
0451	09049	2	O-Ring, .75 ID PTFE 1.00 OD X .12 Dia Wall
0453	07202	1	O-Ring, 3.75 ID PTFE, 4.00 OD X .12 Dia Wall
0455	07612	1	O-Ring, 4.62 ID PTFE, 4.88 OD X .12 Dia Wall
0456	09045	2	O-Ring, .50 ID PTFE with Viton Core .12 Sqr Wall
0533	07212	8	Nut, .625-11 Hex Nut
0541	04005	4	Pin, Cotter .062 X .500
0543	06822	1	Pin, Groove; Tapered, 3/16" X 1.00 LG, 303 SS
0559	04001	1	Retaining Ring, .625 Xtrnl "E"
0564	04003	2	Retaining Ring, .500 Xtrnl "E"
0572	07203	1	Ring, Lock 3.543 ID Shaft Dia 3.687 X .06 PTFE
0611	07255	4	Screw, .750-10 X 2.25 Hex Head, Grade 5
0614	07293	8	Screw, .625-11 X 2.75 Hex Head Cap
0627	07613	4	Screw, .250-20 X .625 Hex Head
0650	45248	1	Kit, Stud Nut & Gasket 4 In 150 # ANSI FL
0718	07256	4	Flat Washer, .795 ID 1.355 OD X .09-.11 Thk
0727	40944	1	Washer, Dashpot, Wash Plain
0741	04789	4	Flat Washer, .219 ID .50 OD, .06 Thk
0745	06081	4	Lock Washer, .25 Spring Heavy
0800	48854	1	Valve Manual

VS-4 4" STEEL CASE VALVE

A4652-2 - Cast Steel / C.I. / PTFE-150# ANSI Flanged			
APPLICABLE FOR VALVES MANUFACTURED AFTER JULY 9, 1999			
Item #	Part #	Qty	Description
0110	45514	1	Housing Assembly, Steel Valve, 4" Steel Valve, 150#
0124	45533	1	Cap Assembly, Steel Valve
0133	45528	1	Cup, Machined Cup VS 30 IR
0138	45526	1	Guide, Machined Guide VS-30 IR
0139	45521	2	Guide, Retainer ring VS3
0140	09050	2	Bearing, M-Lnr .500 ID, M-Liner Sleeve Brg 1/2
0260	47890	2	Guide, Inner-Bearing SS
0270	47893	2	Case, Shaft Seal - V-30 Valve Saft
0337	43525	2	Link - V-30
0338	45531	1	Arm, Link (Machined) - Arm-Link VS-30 IR
0354	43981	1	Seal O-Ring, PTFE, SL-O/R PTFE V30 Valve
0368	45507	1	Shaft, Cap Valve Shaft - V-30
0370	40967	1	Shaft, Valve Guide, .437 OD X 5.032 Long
0382	40942	1	Spring, Compression Spring Valve 1.25 OD
0420	07263	1	Gasket, Flange 4" RNG Type, Slip-on 150 #
0450	07608	1	O-Ring, 6.75 ID PTFE, 7.00 OD X .12 Dia Wall
0451	09049	2	O-Ring, .75 ID PTFE 1.00 OD X .12 Dia Wall
0453	07202	1	O-Ring, 3.75 ID PTFE, 4.00 OD X .12 Dia Wall
0455	07612	1	O-Ring, 4.62 ID PTFE, 4.88 OD X .12 Dia Wall
0456	09311	2	O-Ring, .484 ID Brn Viton .762 OD X .139 Dia Wall
0533	07212	8	Nut, .625-11 Hex Nut
0541	04005	4	Pin, Cotter .062 X .500
0543	06822	1	Pin, Groove; Tapered, 3/16" X 1.00 LG, 303 SS
0559	04001	1	Retaining Ring, .625 Xtrnl "E"
0564	04003	2	Retaining Ring, .500 Xtrnl "E"
0572	07203	1	Ring, Lock 3.543 ID Shaft Dia 3.687 X .06 PTFE
0611	07255	4	Screw, .750-10 X 2.25 Hex Head, Grade 5
0614	07293	8	Screw, .625-11 X 2.75 Hex Head Cap
0627	07613	4	Screw, .250-20 X .625 Hex Head
0650	45248	1	Kit, Stud Nut & Gasket 4 In 150 # ANSI FL
0718	07256	4	Flat Washer, .795 ID 1.355 OD X .09-.11 Thk
0727	40944	1	Washer, Dashpot, Wash Plain
0741	04789	4	Flat Washer, .219 ID .50 OD, .06 Thk
0745	06081	4	Lock Washer, .25 Spring Heavy
0800	48854	1	Valve Manual

VS-4 4" STEEL CASE VALVE

A4655-1 - Cast Steel / AL / Viton-300# ANSI Flanged

APPLICABLE FOR VALVES MANUFACTURED AFTER JULY 9, 1999

Item #	Part #	Qty	Description
0110	45524	1	Housing Assembly, Steel Valve, 4" Steel Valve, 300#
0124	45533	1	Cap Assembly, Steel Valve
0133	43528	1	Cup, V30
0138	45530	1	Guide, Machined Guide VS30
0139	45521	2	Guide, Retainer ring VS3
0140	09050	2	Bearing, M-Lnr .500 ID, M-Liner Sleeve Brg 1/2
0260	47890	2	Guide, Inner-Bearing SS
0270	47893	2	Case, Shaft Seal - V-30 Valve Saft
0337	43525	2	Link - V-30
0338	43524	1	Link Arm, Link V-30
0354	46239	1	Seal O-Ring, Bonded Viton V30 Valve
0368	45507	1	Shaft, Cap Valve Shaft - V-30
0370	40967	1	Shaft, Valve Guide, .437 OD X 5.032 Long
0382	40942	1	Spring, Compression Spring Valve 1.25 OD
0420	07264	1	Gasket, Flange 4" RNG Type, Slip-on 300 #
0450	07504	1	O-Ring, 6.75 ID Viton, 7.00 OD X .12 Dia Wall
0451	09048	2	O-Ring, .75 ID Viton 1.00 OD X .12 Dia Wall
0453	40969	1	Ring, Upper-Seal 3.734 ID, Valve Seal
0455	07611	1	O-Ring, 4.62 ID Viton, 4.88 OD X .12 Dia Wall
0456	09311	2	O-Ring, .484 ID Brn Viton .762 OD X .139 Dia Wall
0533	06985	8	Nut, .750-10 Hex Nut Grade 2
0541	04005	4	Pin, Cotter .062 X .500
0543	06822	1	Pin, Groove; Tapered, 3/16" X 1.00 LG, 303 SS
0559	04001	1	Retaining Ring, .625 Xtrnl "E"
0564	04003	2	Retaining Ring, .500 Xtrnl "E"
0611	07255	4	Screw, .750-10 X 2.25 Hex Head, Grade 5
0614	07260	8	Screw, .750-10 X 3.75 Hex Head Cap, Grade 5
0627	07613	4	Screw, .250-20 X .625 Hex Head
0650	45243	1	Kit, Stud Nut & Gasket 4 In 300 # ANSI FL
0718	07256	4	Flat Washer, .795 ID 1.355 OD X .09-.11 Thk
0727	40944	1	Washer, Dashpot, Wash Plain
0741	04789	4	Flat Washer, .219 ID .50 OD, .06 Thk
0745	06081	4	Lock Washer, .25 Spring Heavy
0800	48854	1	Valve Manual

VS-4 4" STEEL CASE VALVE

A4655-2 - Cast Steel / C.I. / Viton-300# ANSI Flanged			
APPLICABLE FOR VALVES MANUFACTURED AFTER JULY 9, 1999			
Item #	Part #	Qty	Description
0110	45524	1	Housing Assembly, Steel Valve, 4" Steel Valve, 300#
0124	45533	1	Cap Assembly, Steel Valve
0133	45528	1	Cup, Machined VS 30 IR
0138	45529	1	Guide, Machined Guide VS30 IR
0139	45521	2	Guide, Retainer ring VS3
0140	09050	2	Bearing, M-Lnr .500 ID, M-Liner Sleeve Brg 1/2
0260	47890	2	Guide, Inner-Bearing SS
0270	47893	2	Case, Shaft Seal - V-30 Valve Saft
0337	43525	2	Link - V-30
0338	45531	1	Arm, Link (Machined) Arm-Link VS-30 IR
0354	46239	1	Seal O-Ring, Bonded Viton V30 Valve
0368	45507	1	Shaft, Cap Valve Shaft - V-30
0370	40967	1	Shaft, Valve Guide, .437 OD X 5.032 Long
0382	40942	1	Spring, Compression Spring Valve 1.25 OD
0420	07264	1	Gasket, Flange 4" RNG Type, Slip-on 300 #
0450	07504	1	O-Ring, 6.75 ID Viton, 7.00 OD X .12 Dia Wall
0451	09048	2	O-Ring, .75 ID Viton 1.00 OD X .12 Dia Wal
0453	40969	1	Ring, Upper-Seal 3.734 ID, Valve Seal
0455	07611	1	O-Ring, 4.62 ID Viton, 4.88 OD X .12 Dia Wall
0456	09311	2	O-Ring, .484 ID Brn Viton .762 OD X .139 Dia Wall
0533	06985	8	Nut, .750-10 Hex Nut Grade 2
0541	04005	4	Pin, Cotter .062 X .500
0543	06822	1	Pin, Groove; Tapered, 3/16" X 1.00 LG, 303 SS
0559	04001	1	Retaining Ring, .625 Xtrnl "E"
0564	04003	2	Retaining Ring, .500 Xtrnl "E"
0611	07255	4	Screw, .750-10 X 2.25 Hex Head, Grade 5
0614	07260	8	Screw, .750-10 X 3.75 Hex Head Cap, Grade 5
0627	07613	4	Screw, .250-20 X .625 Hex Head
0650	45243	1	Kit, Stud Nut & Gasket 4 In 300 # ANSI FL
0718	07256	4	Flat Washer, .795 ID 1.355 OD X .09-.11 Thk
0727	40944	1	Washer, Dashpot, Wash Plain
0741	04789	4	Flat Washer, .219 ID .50 OD, .06 Thk
0745	06081	4	Lock Washer, .25 Spring Heavy
0800	48854	1	Valve Manual

VS-4 4" STEEL CASE VALVE

ACCESSORIES

A3731 - Linkage Assembly - MS75

Applicable for valves manufactured after August 1, 1993

Item #	Part #	Qty	Description
0001	04094	1	Knob, Ball 1.375 Dia .375-16 Thd
0002	04393	2	Retaining Ring, .375 Xtrnl "E"
0003	04401	1	Ball Joint, Snap-off .38-24 Shank Lg .50
0004	04638	1	Ball Joint, .25-28 X .31, "SO"-107
0005	06054	1	Lock Washer, .375 Spring
0006	06075	4	Nut, .375-16 Selflocking Hex, Light
0007	06081	1	Lock Washer, .25 Spring, Heavy
0008	09079	4	Screw, #10-24 X .625 Hex Head, SEMS, SS
0009	06939	8	Lock Washer, #10 Heavy 18-8 SS
0010	06948	1	Pin, Groove .125 X .750
0012	07304	2	Retaining Ring, .250 Xtrnl "E" Reinforced
0013	40948	2	Pivot, Shperical, .75 Spher Dia
0014	40963	4	Sleeve, Preset, .625 OD X .095 W X .50 L
0015	40986	1	Link Assembly, Stub, V15
0017	43087	1	Handle, Extended Linkage
0018	43090	1	Link, Preset
0019	43652	1	Bracket, Lift - Bracket Lift Bar V7
0020	44688	1	Extension, Handle .375 Dia Stk X 5.187 L
0021	44969	1	Washer, Gear SS
0022	45345	1	Shaft, Valve handle, 303 SS, V7 Valve
0023	47873	1	Link, Vertical MS75

A3730 - Linkage Assembly - Counter Extension

Applicable for valves manufactured after August 1, 1993

0001	04094	1	Knob, Ball 1.375 Dia .375-16 Thd
0002	04393	2	Retaining Ring, .375 Xtrnl "E"
0003	04401	1	Ball Joint, Snap-off .38-24 Shank Lg .50
0004	04638	1	Ball Joint, .25-28 X .31, "SO"-107
0005	06054	1	Lock Washer, .375 Spring
0006	06075	4	Nut, .375-16 Selflocking Hex, Light
0007	06081	1	Lock Washer, .25 Spring, Heavy
0008	09079	4	Screw, #10-24 X .625 Hex Head, SEMS, SS
0010	06948	1	Pin, Groove .125 X .750
0012	07304	2	Retaining Ring, .250 Xtrnl "E" Reinforced
0013	40948	2	Pivot, Shperical, .75 Spher Dia
0014	40963	4	Sleeve, Preset, .625 OD X .095 W X .50 L
0015	40986	1	Link Assembly, Stub, V15
0018	43087	1	Handle, Extended Linkage
0019	43090	1	Link, Preset
0020	43093	1	Link, Vertical
0021	43652	1	Bracket, Lift - Bracket Lift Bar V7
0022	44688	1	Extension, Handle .375 Dia Stk X 5.187 L
0024	45345	1	Shaft, Valve handle, 303 SS, V7 Valve



IDEX **LIQUID CONTROLS**

ENERGY & FUELS **CORKEN · FAURE HERMAN · SAMPI · SPONSLER · TOPTECH SYSTEMS**

105 Albrecht Drive
Lake Bluff, IL 60044-2242
1.800.458.5262 • 847.295.1050
Fax: 847.295.1057
www.lcmeter.com

© 2004 Liquid Controls
(4/15)

