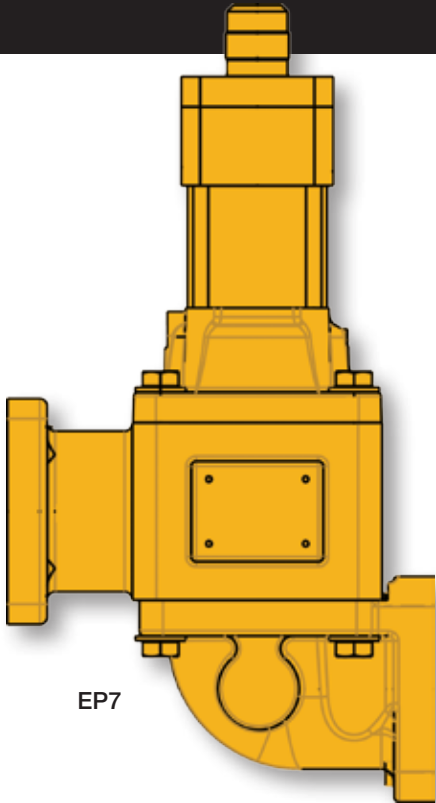


EP7

ELECTRO-PNEUMATIC 2-STAGE VALVES

FEATURES & BENEFITS

- Highest Flow Rates
- Low Pressure Drop
- Ideal For High Viscosity Petroleum Products Like Lube Oils
- 2-Stage Preset Feature Minimizes Hydraulic Shock
- Small Footprint Allows Compact Installation Options
- Pneumatic Actuation Uses Truck's Air System And LCR-II or LCR600



EP7

Liquid Controls EP7 Electro-pneumatic Valve provides maximum flow rates in 2" metering systems for refined petroleum products, including diesel fuel, gasoline, fuel oils, kerosene, ethylene glycol, and lube oils. The EP7 provides flowrates up to 40% higher than the E7 Valve under similar operating conditions.

The less-restrictive internal design results in a reduced pressure drop, making the EP7 the ideal choice when metering high viscosity fluids like lube oils.

With a small footprint and compact mounting options, the EP7 can be installed in truck-mounted systems in the same footprint as existing E7 Valves.

Supplied with 3-way, normally-closed pneumatic solenoid kit 502137, available mounted to valve or sold separately.

OPERATION

LCR-II or LCR600 Electronic Register activates two solenoids to allow compressed air into one of the two chambers in the EP7 valve. The high-flow chamber is supplied with air to allow for full flow when dispensing product. When the preset volume is reached, the low-flow chamber is shut off, closing the valve and stopping flow with minimal hydraulic shock to the system

ORDERING INFORMATION

Item Number	Description	Application	Inlet/Outlet Diameter	Viscosity Range	Maximum Flow Rate*	Temperature Rating
A26261	EP7 Electropneumatic 2-stage Valve with 502137 pneumatic solenoid and mounting bracket kit	For use in M5, M7, or M10 Class 1 metering systems for refined petroleum products, including diesel fuel, gasoline, fuel oils, kerosene, ethylene glycol, and lube oils	2"	30-20,000 SSU	132 GPM / 500LPM	-4 to 158° F (-20 to 70° C)
A2626	EP7 Electro-pneumatic 2-stage valve only					

*At 30 SSU

Accessories / Replacement Parts		Operating Pressure Range
502137	Pneumatic solenoid and mounting bracket kit. Includes (2) 3-way normally-closed 12 VDC pneumatic solenoids, mounting bracket and hardware, 1/4" air line	50 - 125 PSI Regulated Air



LIQUID CONTROLS®

An IDEX Energy & Fuels Business

105 Albrecht Drive
Lake Bluff, IL 60044-2242
1.800.458.5262 1.847.295.1050
Fax: 1.847.295.1057
www.lcmeter.com
LC_EP7VALVESPEC_V2-0217

SPECIFICATIONS

Max Flow Rate
132 GPM (500 L/min)

Viscosity Range
30 to 20,000 SSU*
*Consult factory for higher viscosities

Inlet/Outlet Diameter
2"

Temperature Rating
-4° to 158°F (-20° to 70°C)

Pressure Rating
Maximum non-shock working pressure: 150 PSI (10.5 bar)

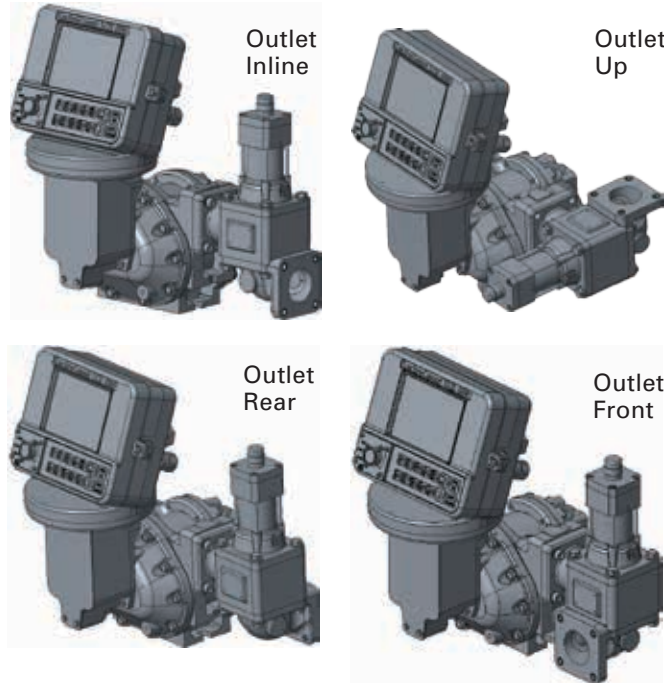
Products
Class1 Refined Fuels (gasoline, fuel oils, diesel fuel, kerosene, ethylene glycol, and lube oils)

Environmental Rating
Meets ATEX 94/9/EC Requirements

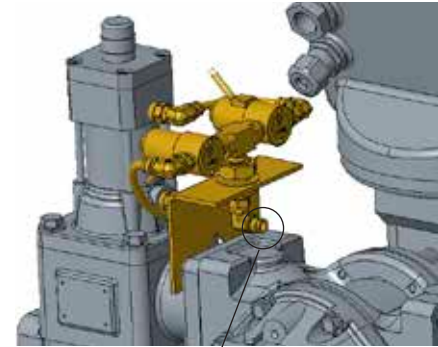
Safety
Meets PED 97/23/EC Requirements

STANDARD MOUNTING ORIENTATIONS

When ordering as part of a configured meter system, the EP7 may be mounted in one of the following orientations:



502137 SOLENOID KIT AND MOUNTING BRACKET



1/4" O.D. Air Tubing

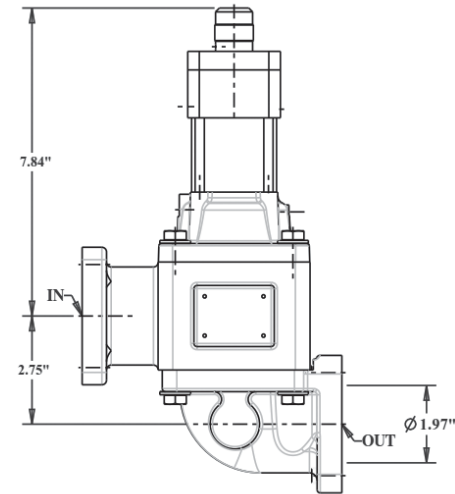
EP7 requires a 3-way, normally closed pneumatic solenoid kit 502137 available mounted the valve or sold separately.

MATERIALS OF CONSTRUCTION

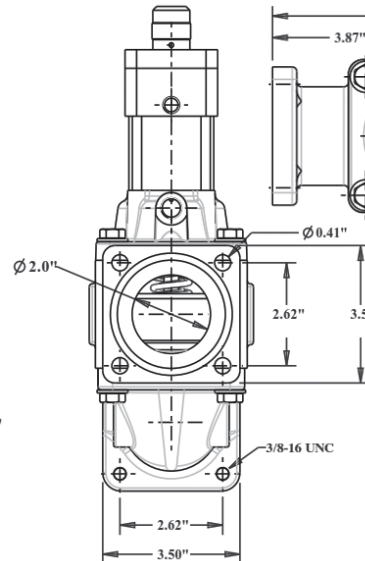
Body	Aluminum
Cover	Aluminum
Shutter	Aluminum
Guide	Aluminum
Drive	Aluminum
Shafts	316 SS
Springs	302 SS
Internal O-Rings	Viton
External O-Rings	Buna
Screws	Carbon Steel

DIMENSIONS

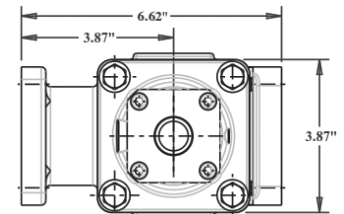
Front View



Side View



Top View



Dimensions shown are nominal. Consult factory when certified engineering drawings are required.



LIQUID CONTROLS®

An IDEX Energy & Fuels Business

105 Albrecht Drive
Lake Bluff, IL 60044-2242
1.800.458.5262 1.847.295.1050
Fax: 1.847.295.1057
www.lcmeter.com
LC_EP7VALVESPEC_V2-0217